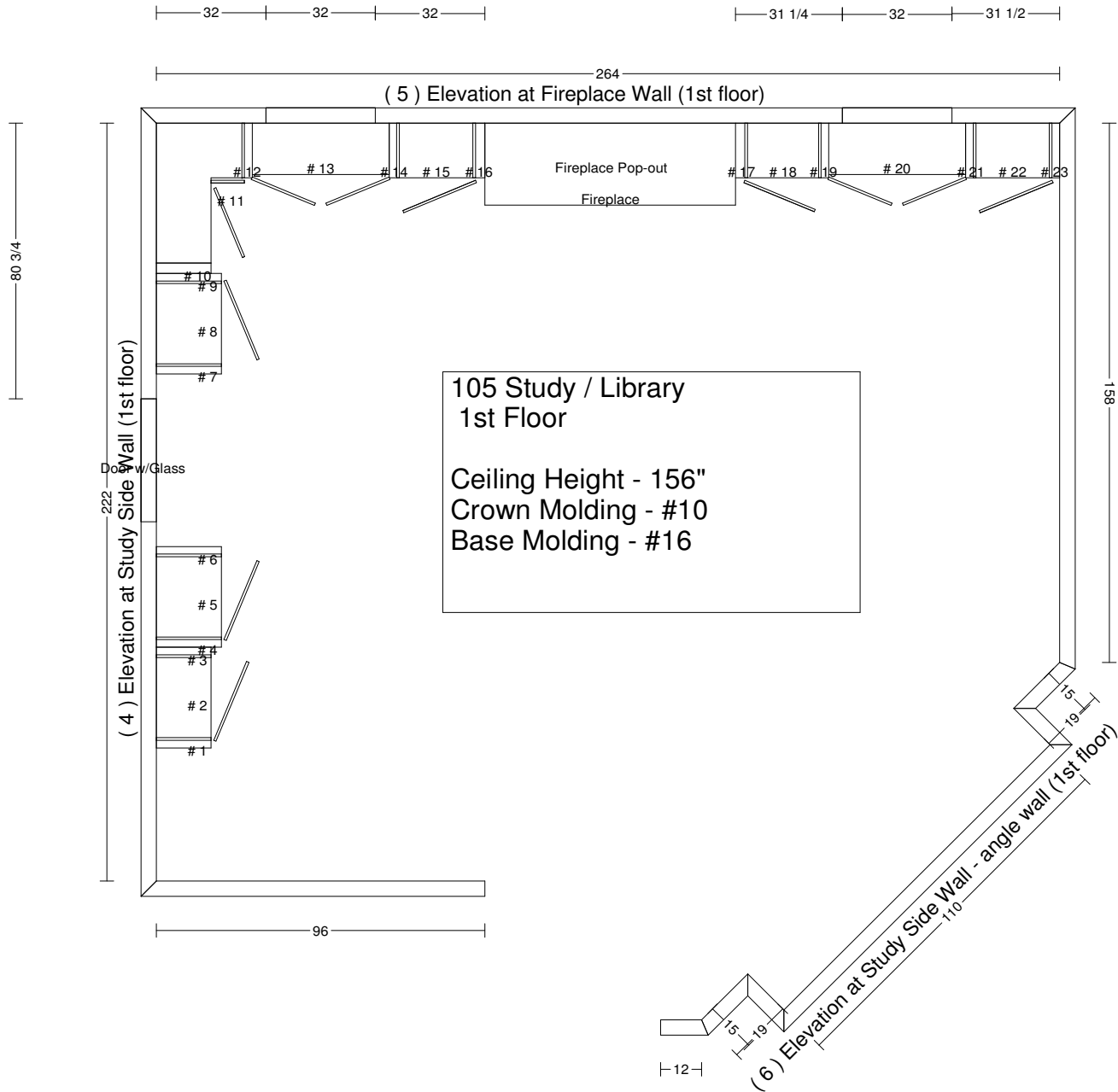


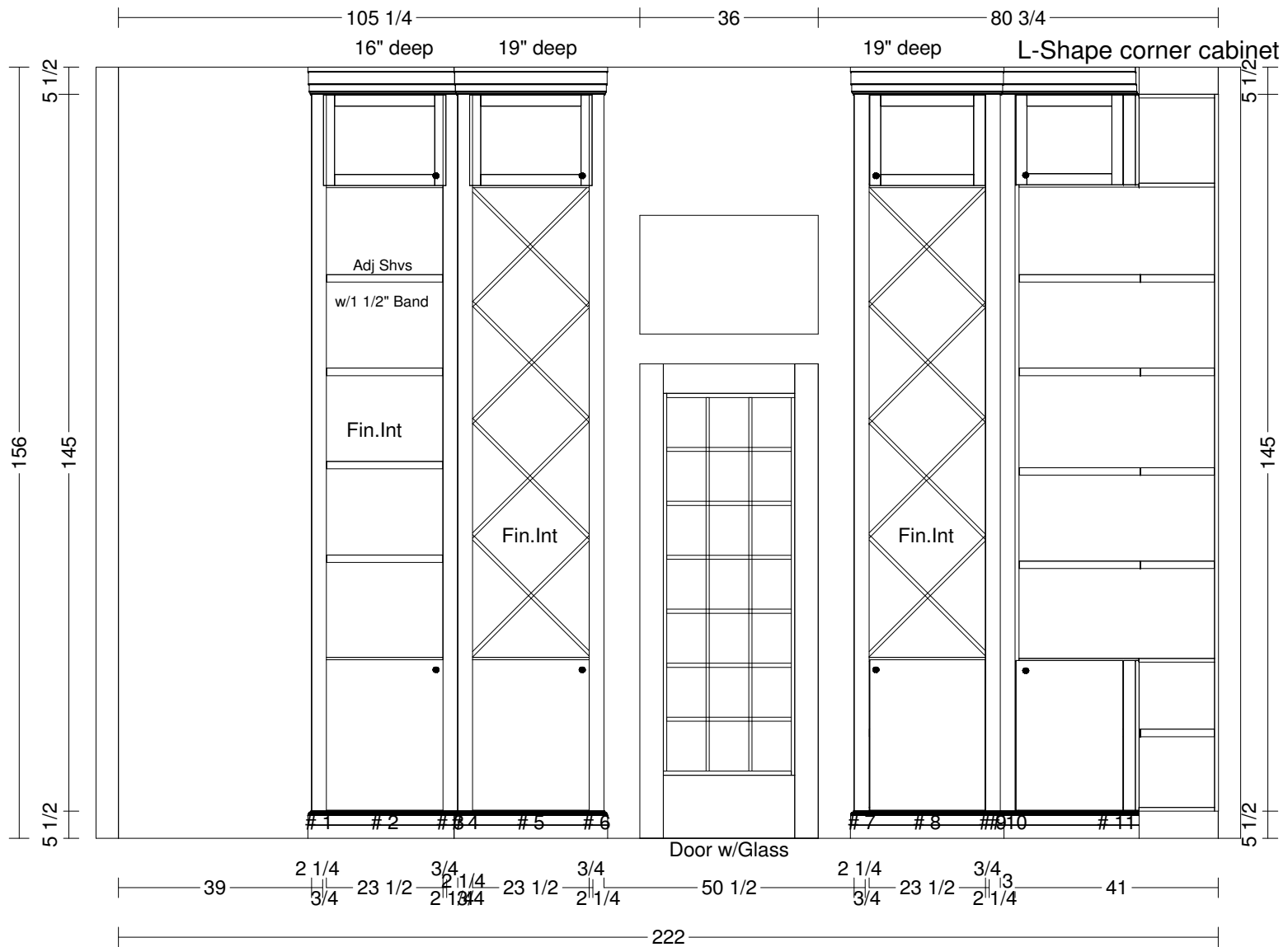
# 1st Floor



Approved by:	Client: Woodshop Cabinetmakers / DiBiase Residence	Date: 02/15/10
	Description: ASH/Slab Door	P.O. #
	Job : 105 Study-Library 2-12-10	Sheet 1 of 51
www.KitchenDesignsbyMike.com      phone 951-321-9175      mcgun@verizon.net		

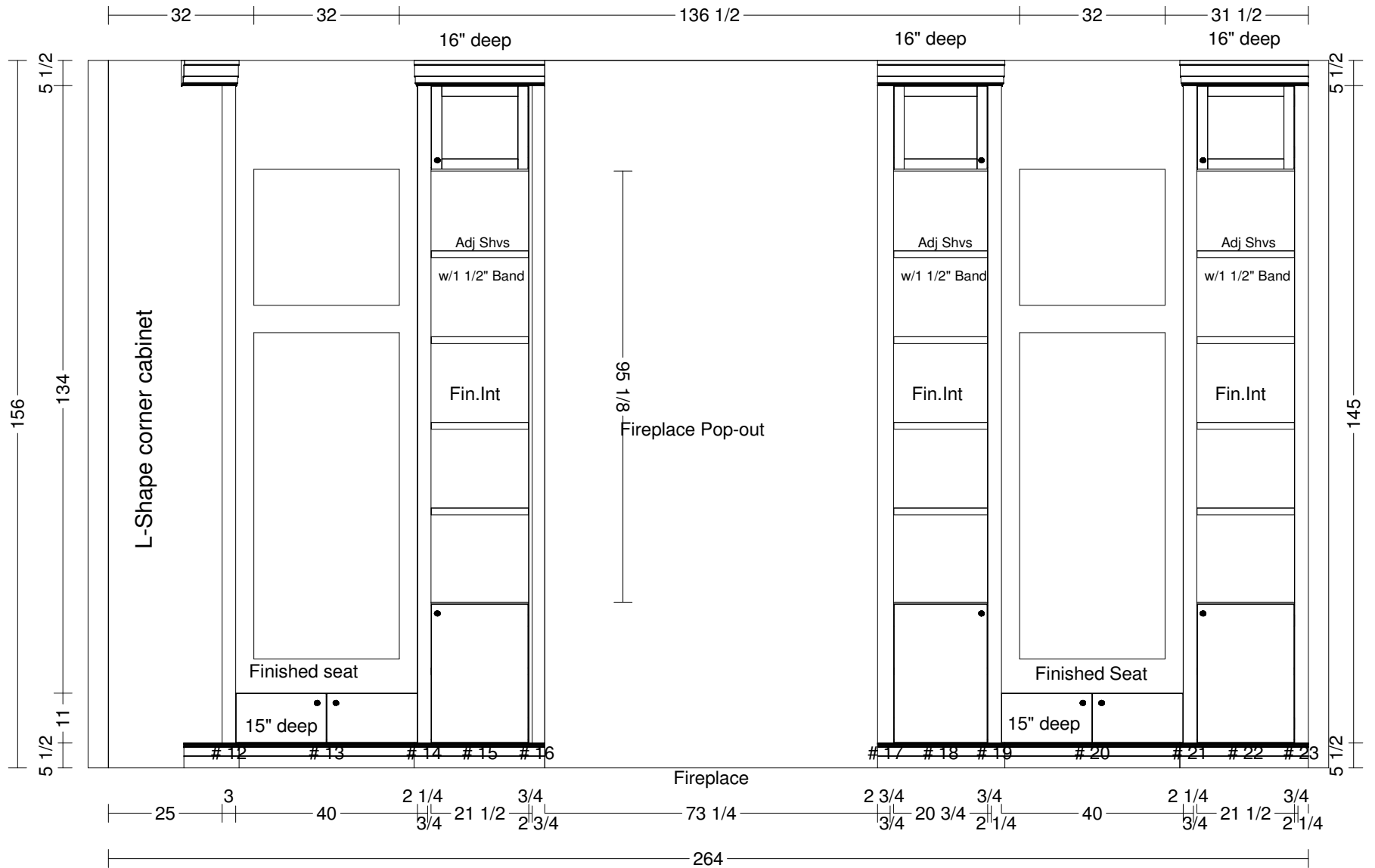


Approved by:	Client: Woodshop Cabinetmakers / DiBiase Residence	Date: 02/15/10
	Description: ASH/Slab Door	P.O. #
	Job : 105 Study-Library 2-12-10	Sheet 2 of 51
www.KitchenDesignsbyMike.com		phone 951-321-9175
mcgun@verizon.net		



( 4 ) Elevation at Study Side Wall (1st floor)

Approved by:	Client: Woodshop Cabinetmakers / DiBiase Residence	Date: 02/15/10
	Description: ASH/Slab Door	P.O. #
	Job : 105 Study-Library 2-12-10	Sheet 3 of 51
www.KitchenDesignsbyMike.com      phone 951-321-9175      mcgun@verizon.net		



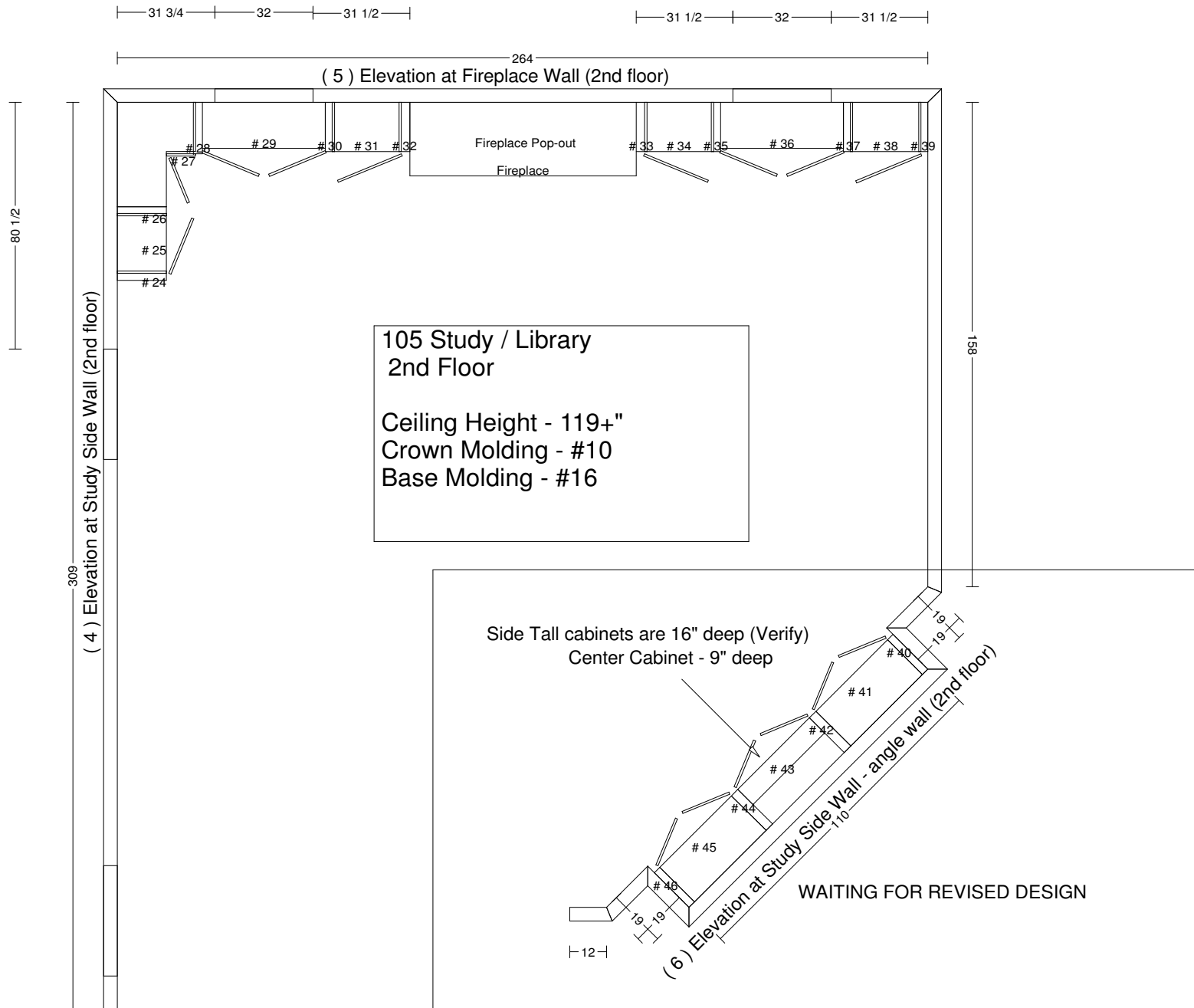
( 5 ) Elevation at Fireplace Wall (1st floor)

Approved by:	Client: Woodshop Cabinetmakers / DiBiase Residence	Date: 02/15/10
	Description: ASH/Slab Door	P.O. #
	Job : 105 Study-Library 2-12-10	Sheet 4 of 51
www.KitchenDesignsbyMike.com      phone 951-321-9175      mcgun@verizon.net		

## 2nd Floor

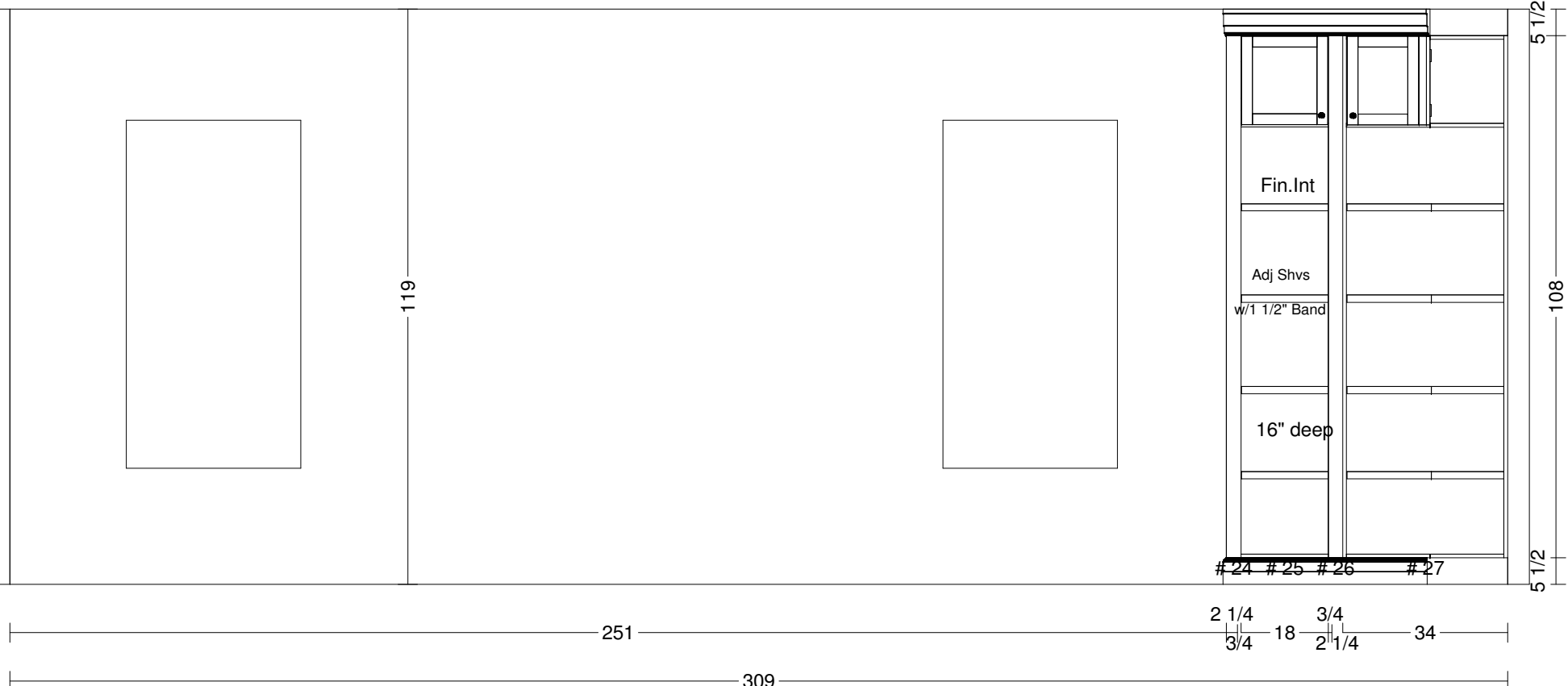


Approved by:	Client: Woodshop Cabinetmakers / DiBiase Residence	Date: 02/15/10
	Description: ASH/Slab Door	P.O. #
	Job : 105 Study-Library 2-12-10	Sheet 5 of 51
www.KitchenDesignsbyMike.com      phone 951-321-9175      mcgun@verizon.net		



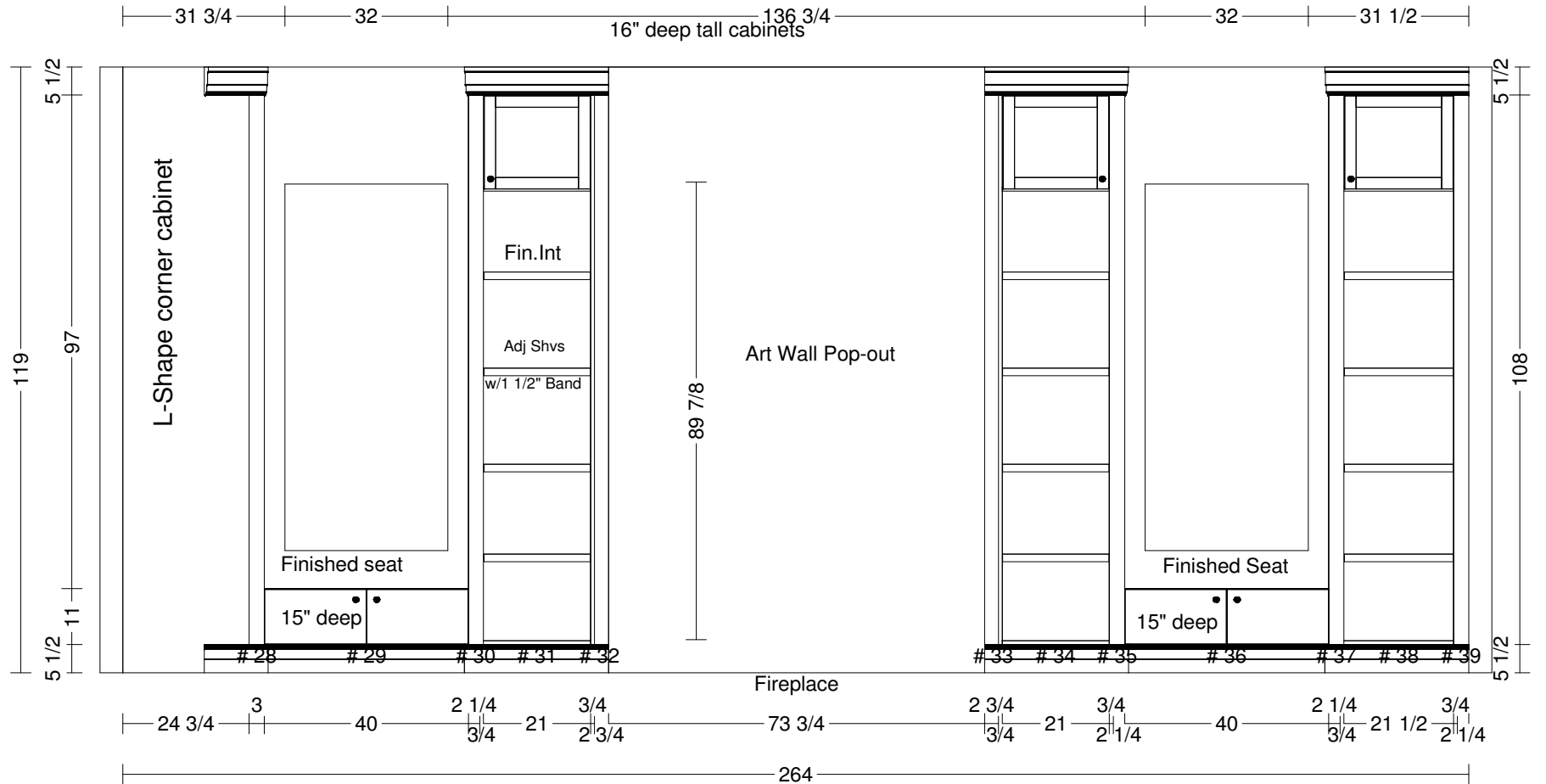
Approved by:	Client: Woodshop Cabinetmakers / DiBiase Residence	Date: 02/15/10
	Description: ASH/Slab Door	P.O. #
	Job : 105 Study-Library 2-12-10	Sheet 6 of 51
www.KitchenDesignsbyMike.com      phone 951-321-9175      mcgun@verizon.net		

24      36      132 1/2      36      80 1/2      L-Shape corner cabinet



( 4 ) Elevation at Study Side Wall (2nd floor)

Approved by:	Client: Woodshop Cabinetmakers / DiBiase Residence	Date: 02/15/10
	Description: ASH/Slab Door	P.O. #
	Job : 105 Study-Library 2-12-10	Sheet 7 of 51
www.KitchenDesignsbyMike.com      phone 951-321-9175      mcgun@verizon.net		



( 5 ) Elevation at Fireplace Wall (2nd floor)

Approved by:	Client: Woodshop Cabinetmakers / DiBiase Residence	Date: 02/15/10
	Description: ASH/Slab Door	P.O. #
	Job : 105 Study-Library 2-12-10	Sheet 8 of 51
www.KitchenDesignsbyMike.com      phone 951-321-9175      mcgun@verizon.net		

**Panel Stock**

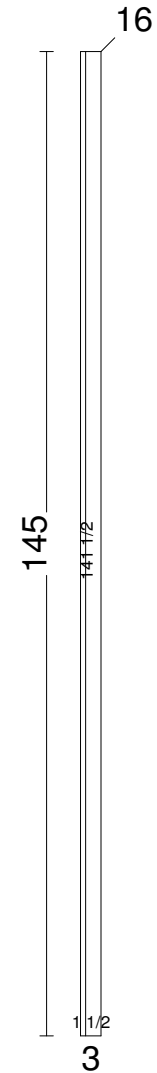
1 16 145 Filler p3/4 Opt.Mat. 1s

**Board Stock**

1 3 145 Filler 3/4 OPT. S2S

**Assembly #1 - TEF39624**

3 x 145 x 16 (1)



**Assembly #1 - TEF39624 - Room - 1ST Floor**

**105 Study-Library 2-12-10**

ASH/Slab Door

www.KitchenDesignsbyMike.com

Left End =

Right End = Unfinished

Date: 02/15/10

Page # 9

**Board Stock**

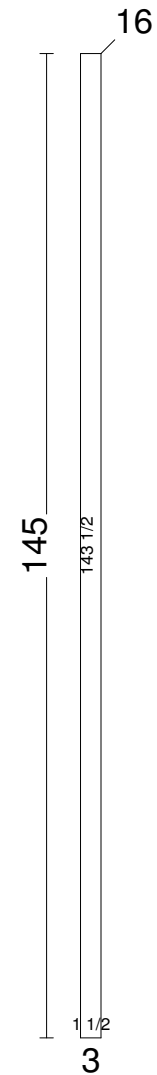
1                      3                      145                      Solid Filler                      3/4 OPT. S2S

**Comment**

TALL SOLID FILLER

**Assembly #10 - TSF396**

3 x 145 x 16 (1)



**Assembly #10 - TSF396 - Room - 1ST Floor**

**105 Study-Library 2-12-10**

ASH/Slab Door

www.KitchenDesignsbyMike.com

Left End = Unfinished

Right End = Unfinished

Date: 02/15/10

Page # 10

## Assembly #11 - Study Tall

41 x 145 x 25 3/4 (1)

### Doors

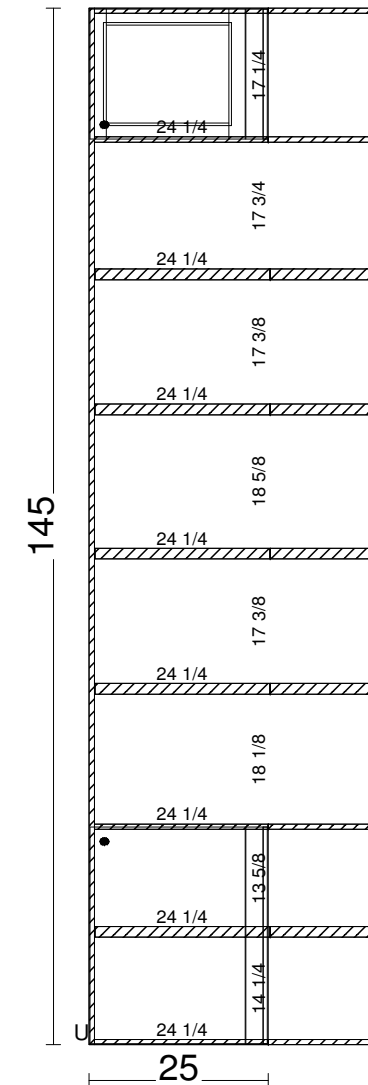
1	21 5/8	18 1/4	C8-18A-0-225 Shaker G18A-MPL	
1	3	18 1/4	Slab Door	*OPT MATERIAL
1	21 5/8	30 3/8	Slab Door	*OPT MATERIAL
1	3	30 3/8	Slab Door	*OPT MATERIAL
1	9 1/2	18 1/4	Slab Door	*OPT MATERIAL
1	9 1/2	30 3/8	Slab Door	*OPT MATERIAL

### Panel Stock

1	15 3/4	145	Unfinished Left End	p3/4 Opt.Mat. 1s
1	25 1/2	145	Unfinished Right End	p3/4 Opt.Mat. 1s
1	41	145	Unfinished Back	p1/4 PF Mpl 1S
1	25 1/2	39 1/2	Top	p3/4 Opt.Mat. 1s
1	25 1/2	39 1/2	Deck	p3/4 Opt.Mat. 1s
2	25 1/2	39 1/2	Fixed Shelf	p3/4 Opt.Mat. 2s
5	25 1/4	39 3/8	Adjustable Shelf	p3/4 Adj Shf w/Facia

### Hardware

2	1 1/4	1	Door Pull	Supplied by Dealer
4	1	2 1/2	Hinge	Euro Hinge



**Assembly #11 - Study Tall - Room - 1ST Floor**

**105 Study-Library 2-12-10**

ASH/Slab Door

[www.KitchenDesignsbyMike.com](http://www.KitchenDesignsbyMike.com)

Left End = Unfinished

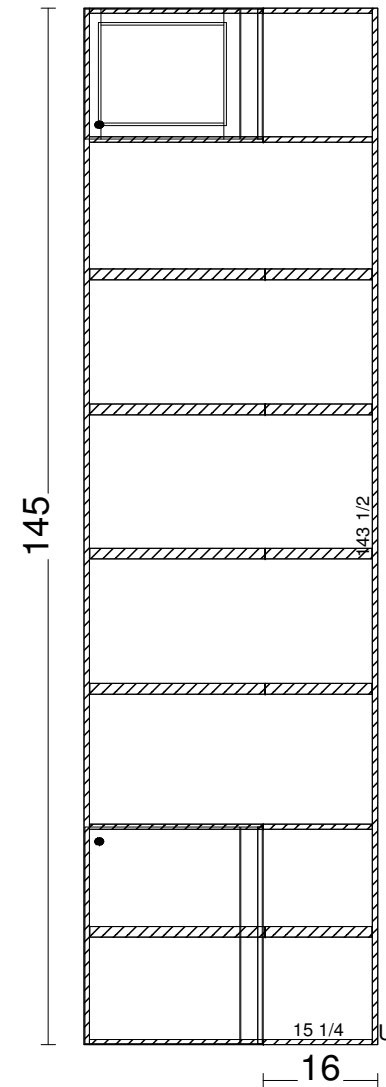
Right End = Unfinished

Date: 02/15/10

Page # 11

**Assembly #11 - Study Tall**

41 x 145 x 25 3/4 (1)



**Assembly #11 - Study Tall - Room - 1ST Floor**

**105 Study-Library 2-12-10**

ASH/Slab Door

[www.KitchenDesignsbyMike.com](http://www.KitchenDesignsbyMike.com)

Left End = Unfinished

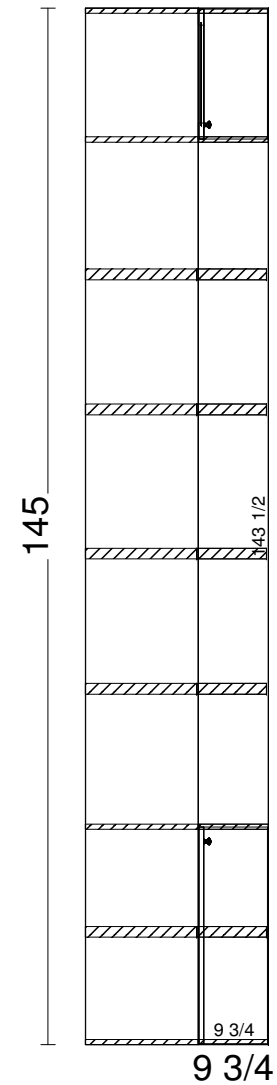
Right End = Unfinished

Date: 02/15/10

Page # 12

**Assembly #11 - Study Tall**

41 x 145 x 25 3/4 (1)



**Assembly #11 - Study Tall - Room - 1ST Floor**

**105 Study-Library 2-12-10**

ASH/Slab Door

[www.KitchenDesignsbyMike.com](http://www.KitchenDesignsbyMike.com)

Left End = Unfinished

Right End = Unfinished

Date: 02/15/10

Page # 13

**Panel Stock**

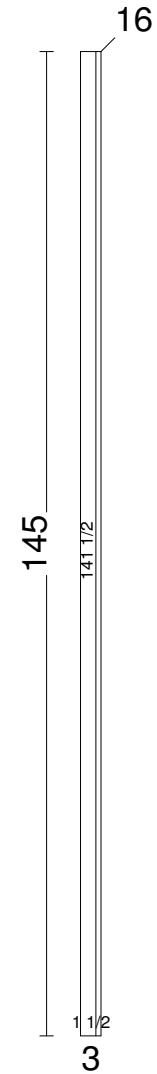
1 16 145 Filler p3/4 Opt.Mat. 1s

**Board Stock**

1 3 145 Filler 3/4 OPT. S2S

**Assembly #12 - TEF39624**

3 x 145 x 16 (1)



**Assembly #12 - TEF39624 - Room - 1ST Floor**

**105 Study-Library 2-12-10**

ASH/Slab Door

www.KitchenDesignsbyMike.com

Left End =

Right End = Unfinished

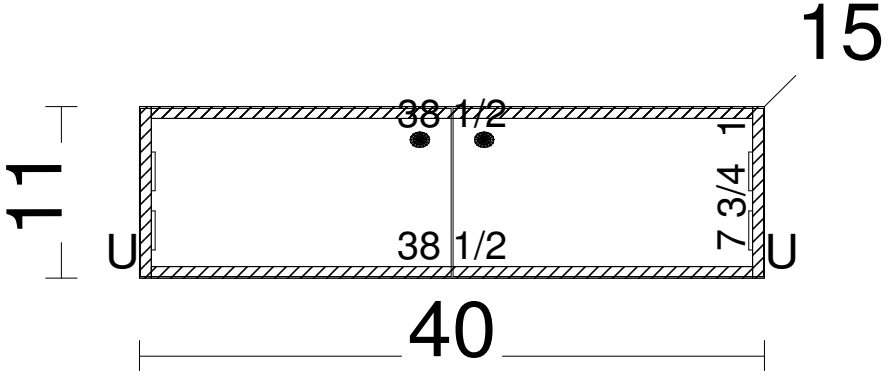
Date: 02/15/10

Page # 14

**Assembly #13 - Window Seat**

40 x 11 x 15 (1)

<b>Doors</b>				
2	19 7/8	10 3/4	Slab Door	*OPT MATERIAL
<b>Panel Stock</b>				
1	14 3/4	11	Unfinished Left End	p3/4 Opt.Mat. 1s
1	14 3/4	11	Unfinished Right End	p3/4 Opt.Mat. 1s
1	40	11	Unfinished Back	p1/4 PF Mpl 1S
2	4	38 1/2	Stretcher	p3/4 Opt.Mat. 1s
1	14 3/4	38 1/2	Deck	p3/4 Opt.Mat. 1s
<b>Hardware</b>				
2	1 1/4	1	Door Pull	Supplied by Dealer
4	1	2 1/2	Hinge	Euro Hinge



**Assembly #13 - Window Seat - Room - 1ST Floor**

**105 Study-Library 2-12-10**

ASH/Slab Door

www.KitchenDesignsbyMike.com

Left End = Unfinished

Right End = Unfinished

Date: 02/15/10

Page # 15

**Panel Stock**

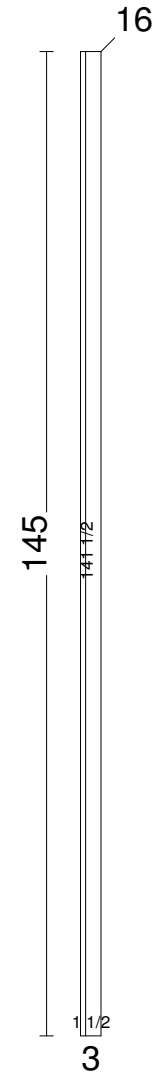
1 16 145 Filler p3/4 Opt.Mat. 1s

**Board Stock**

1 3 145 Filler 3/4 OPT. S2S

**Assembly #14 - TEF39624**

3 x 145 x 16 (1)



**Assembly #14 - TEF39624 - Room - 1ST Floor**

**105 Study-Library 2-12-10**

ASH/Slab Door

[www.KitchenDesignsbyMike.com](http://www.KitchenDesignsbyMike.com)

Left End =

Right End = Unfinished

Date: 02/15/10

Page # 16

## Assembly #15 - Study Tall

23 x 145 x 16 (1)

### Doors

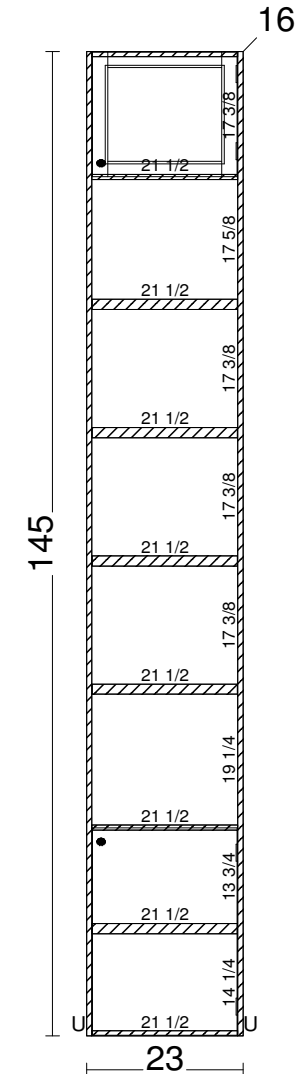
1	21 1/4	18 3/8	C8-18A-0-225 Shaker G18A-MPL
1	21 1/4	30 1/2	Slab Door *OPT MATERIAL

### Panel Stock

1	15 3/4	145	Unfinished Left End	p3/4 Opt.Mat. 1s
1	15 3/4	145	Unfinished Right End	p3/4 Opt.Mat. 1s
1	23	145	Unfinished Back	p1/4 PF Mpl 1S
1	15 3/4	21 1/2	Top	p3/4 Opt.Mat. 1s
1	15 3/4	21 1/2	Deck	p3/4 Opt.Mat. 1s
2	15 3/4	21 1/2	Fixed Shelf	p3/4 Opt.Mat. 2s
5	15 1/2	21 3/8	Adjustable Shelf	p3/4 Adj Shf w/Facia

### Hardware

2	1 1/4	1	Door Pull	Supplied by Dealer
4	1	2 1/2	Hinge	Euro Hinge



**Assembly #15 - Study Tall - Room - 1ST Floor**

**105 Study-Library 2-12-10**

ASH/Slab Door

[www.KitchenDesignsbyMike.com](http://www.KitchenDesignsbyMike.com)

Left End = Unfinished

Right End = Unfinished

Date: 02/15/10

Page # 17

**Board Stock**

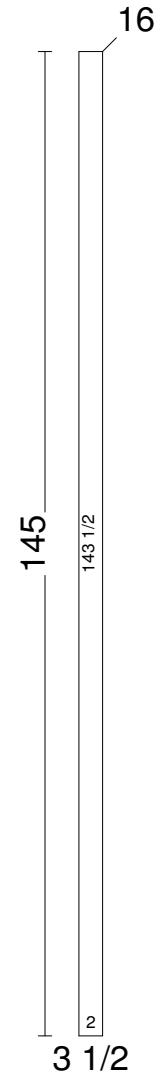
1 3 1/2 145 Solid Filler 3/4 OPT. S2S

**Comment**

TALL SOLID FILLER

**Assembly #16 - TSF396**

3 1/2 x 145 x 16 (1)



**Assembly #16 - TSF396 - Room - 1ST Floor**

**105 Study-Library 2-12-10**

ASH/Slab Door

www.KitchenDesignsbyMike.com

Left End = Finished

Right End = Finished

Date: 02/15/10

Page # 18

**Board Stock**

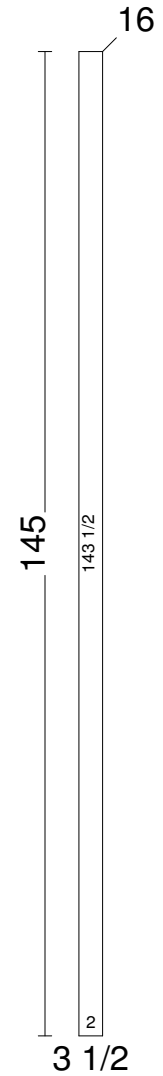
1 3 1/2 145 Solid Filler 3/4 OPT. S2S

**Comment**

TALL SOLID FILLER

**Assembly #17 - TSF396**

3 1/2 x 145 x 16 (1)



**Assembly #17 - TSF396 - Room - 1ST Floor**

**105 Study-Library 2-12-10**

ASH/Slab Door

www.KitchenDesignsbyMike.com

Left End = Finished

Right End = Finished

Date: 02/15/10

Page # 19

## Assembly #18 - Study Tall

22 1/4 x 145 x 16 (1)

### Doors

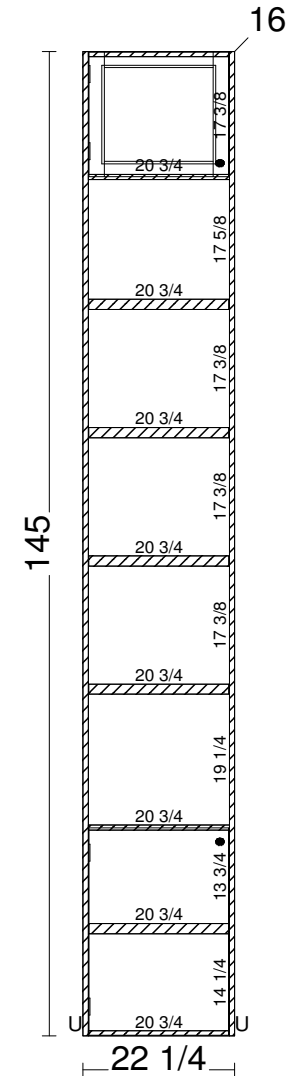
1	20 1/2	18 3/8	C8-18A-0-225 Shaker G18A-MPL
1	20 1/2	30 1/2	Slab Door *OPT MATERIAL

### Panel Stock

1	15 3/4	145	Unfinished Left End	p3/4 Opt.Mat. 1s
1	15 3/4	145	Unfinished Right End	p3/4 Opt.Mat. 1s
1	22 1/4	145	Unfinished Back	p1/4 PF Mpl 1S
1	15 3/4	20 3/4	Top	p3/4 Opt.Mat. 1s
1	15 3/4	20 3/4	Deck	p3/4 Opt.Mat. 1s
2	15 3/4	20 3/4	Fixed Shelf	p3/4 Opt.Mat. 2s
5	15 1/2	20 5/8	Adjustable Shelf	p3/4 Adj Shf w/Facia

### Hardware

2	1 1/4	1	Door Pull	Supplied by Dealer
4	1	2 1/2	Hinge	Euro Hinge



**Assembly #18 - Study Tall - Room - 1ST Floor**

**105 Study-Library 2-12-10**

ASH/Slab Door

[www.KitchenDesignsbyMike.com](http://www.KitchenDesignsbyMike.com)

Left End = Unfinished

Right End = Unfinished

Date: 02/15/10

Page # 20

**Panel Stock**

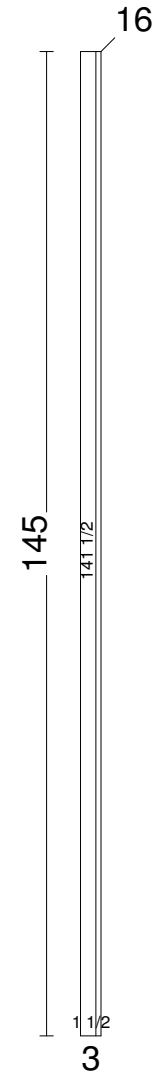
1 16 145 Filler p3/4 Opt.Mat. 1s

**Board Stock**

1 3 145 Filler 3/4 OPT. S2S

**Assembly #19 - TEF39624**

3 x 145 x 16 (1)



**Assembly #19 - TEF39624 - Room - 1ST Floor**

**105 Study-Library 2-12-10**

ASH/Slab Door

www.KitchenDesignsbyMike.com

Left End =

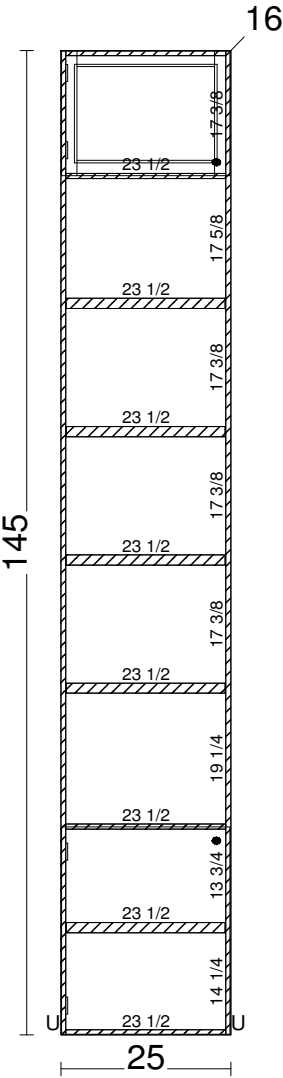
Right End = Unfinished

Date: 02/15/10

Page # 21

**Assembly #2 - Study Tall**  
**25 x 145 x 16 (1)**

<b>Doors</b>			
1	24 3/4	18 3/8	C8-18A-0-225 Shaker G18A-MPL
1	24 3/4	30 1/2	Slab Door *OPT MATERIAL
<b>Panel Stock</b>			
1	15 3/4	145	Unfinished Left End p3/4 Opt.Mat. 1s
1	15 3/4	145	Unfinished Right End p3/4 Opt.Mat. 1s
1	25	145	Unfinished Back p1/4 PF Mpl 1S
1	15 3/4	23 1/2	Top p3/4 Opt.Mat. 1s
1	15 3/4	23 1/2	Deck p3/4 Opt.Mat. 1s
2	15 3/4	23 1/2	Fixed Shelf p3/4 Opt.Mat. 2s
5	15 1/2	23 3/8	Adjustable Shelf p3/4 Adj Shf w/Facia
<b>Hardware</b>			
2	1 1/4	1	Door Pull Supplied by Dealer
4	1	2 1/2	Hinge Euro Hinge



**Assembly #2 - Study Tall - Room - 1ST Floor**

**105 Study-Library 2-12-10**

ASH/Slab Door

www.KitchenDesignsbyMike.com

Left End = Unfinished      Right End = Unfinished

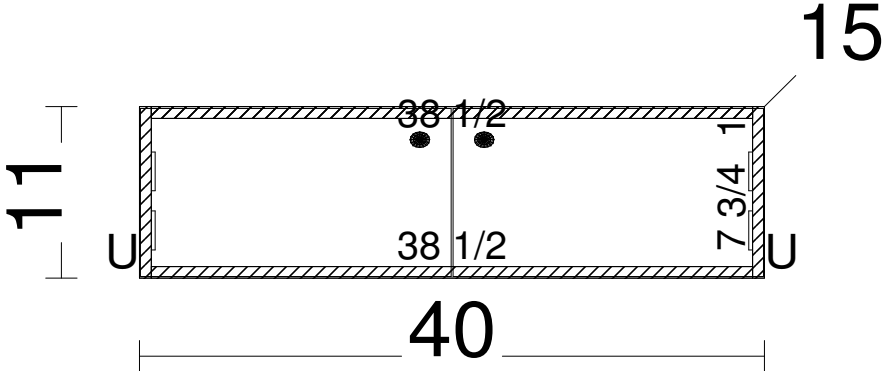
Date: 02/15/10

Page # 22

**Assembly #20 - Window Seat**

40 x 11 x 15 (1)

<b>Doors</b>				
2	19 7/8	10 3/4	Slab Door	*OPT MATERIAL
<b>Panel Stock</b>				
1	14 3/4	11	Unfinished Left End	p3/4 Opt.Mat. 1s
1	14 3/4	11	Unfinished Right End	p3/4 Opt.Mat. 1s
1	40	11	Unfinished Back	p1/4 PF Mpl 1S
2	4	38 1/2	Stretcher	p3/4 Opt.Mat. 1s
1	14 3/4	38 1/2	Deck	p3/4 Opt.Mat. 1s
<b>Hardware</b>				
2	1 1/4	1	Door Pull	Supplied by Dealer
4	1	2 1/2	Hinge	Euro Hinge



**Assembly #20 - Window Seat - Room - 1ST Floor**

**105 Study-Library 2-12-10**

ASH/Slab Door

www.KitchenDesignsbyMike.com

Left End = Unfinished

Right End = Unfinished

Date: 02/15/10

Page # 23

**Panel Stock**

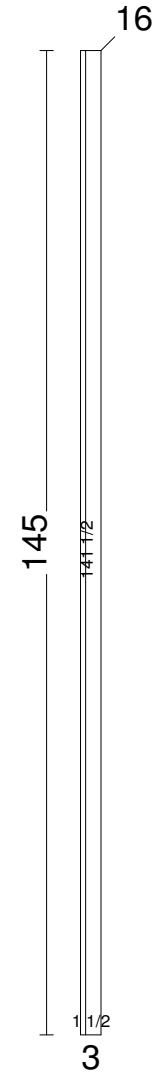
1 16 145 Filler p3/4 Opt.Mat. 1s

**Board Stock**

1 3 145 Filler 3/4 OPT. S2S

**Assembly #21 - TEF39624**

3 x 145 x 16 (1)



**Assembly #21 - TEF39624 - Room - 1ST Floor**

**105 Study-Library 2-12-10**

ASH/Slab Door

www.KitchenDesignsbyMike.com

Left End =

Right End = Unfinished

Date: 02/15/10

Page # 24

## Assembly #22 - Study Tall

23 x 145 x 16 (1)

### Doors

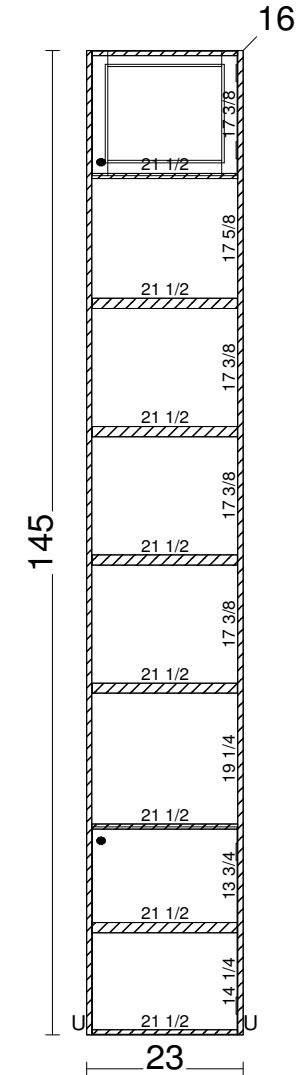
1	21 1/4	18 3/8	C8-18A-0-225 Shaker G18A-MPL
1	21 1/4	30 1/2	Slab Door *OPT MATERIAL

### Panel Stock

1	15 3/4	145	Unfinished Left End	p3/4 Opt.Mat. 1s
1	15 3/4	145	Unfinished Right End	p3/4 Opt.Mat. 1s
1	23	145	Unfinished Back	p1/4 PF Mpl 1S
1	15 3/4	21 1/2	Top	p3/4 Opt.Mat. 1s
1	15 3/4	21 1/2	Deck	p3/4 Opt.Mat. 1s
2	15 3/4	21 1/2	Fixed Shelf	p3/4 Opt.Mat. 2s
5	15 1/2	21 3/8	Adjustable Shelf	p3/4 Adj Shf w/Facia

### Hardware

2	1 1/4	1	Door Pull	Supplied by Dealer
4	1	2 1/2	Hinge	Euro Hinge



**Assembly #22 - Study Tall - Room - 1ST Floor**

**105 Study-Library 2-12-10**

ASH/Slab Door

[www.KitchenDesignsbyMike.com](http://www.KitchenDesignsbyMike.com)

Left End = Unfinished

Right End = Unfinished

Date: 02/15/10

Page # 25

**Board Stock**

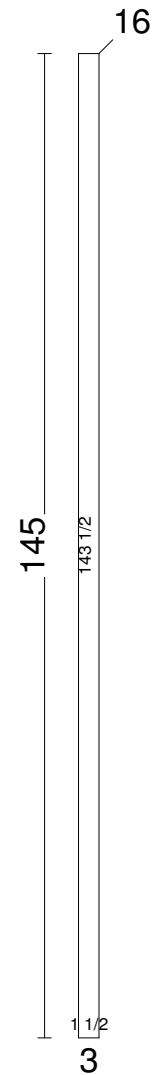
1 3 145 Solid Filler 3/4 OPT. S2S

**Comment**

TALL SOLID FILLER

**Assembly #23 - TSF396**

3 x 145 x 16 (1)



**Assembly #23 - TSF396 - Room - 1ST Floor**

**105 Study-Library 2-12-10**

ASH/Slab Door

www.KitchenDesignsbyMike.com

Left End = Finished

Right End = Unfinished

Date: 02/15/10

Page # 26

**Panel Stock**

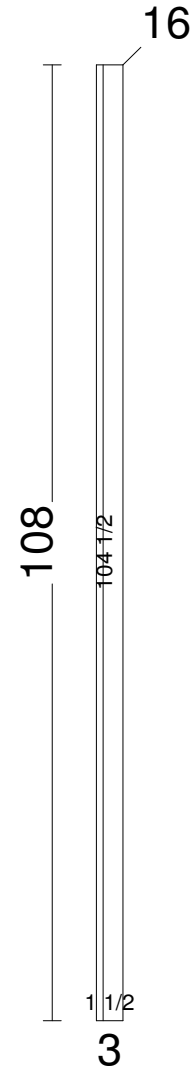
1 16 108 Filler p3/4 Opt.Mat. 1s

**Board Stock**

1 3 108 Filler 3/4 OPT. S2S

**Assembly #24 - TEF39624**

3 x 108 x 16 (1)



**Assembly #24 - TEF39624 - Room - 2nd Floor**

**105 Study-Library 2-12-10**

ASH/Slab Door

www.KitchenDesignsbyMike.com

Left End =

Right End = Unfinished

Date: 02/15/10

Page # 27

## Assembly #25 - Study Tall

19 1/2 x 108 x 16 (1)

### Doors

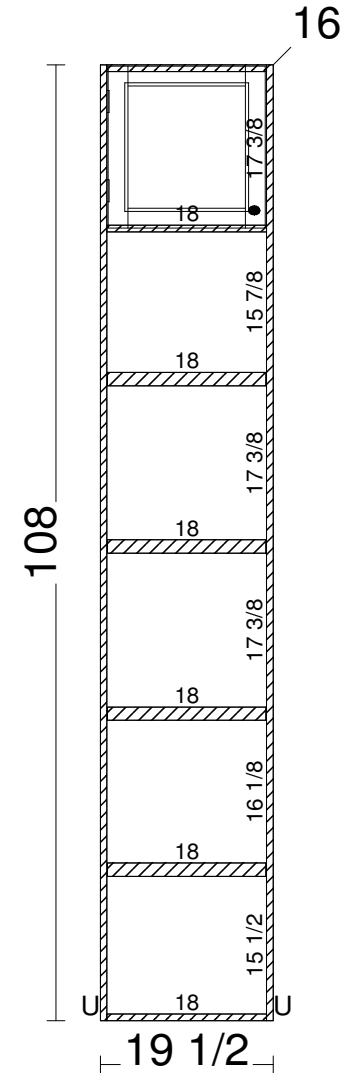
1	17 3/4	18 3/8	C8-18A-0-225 Shaker G
---	--------	--------	-----------------------

### Panel Stock

1	15 3/4	108	Unfinished Left End	p3/4 Opt.Mat. 1s
1	15 3/4	108	Unfinished Right End	p3/4 Opt.Mat. 1s
1	19 1/2	108	Unfinished Back	p1/4 PF Mpl 1S
1	15 3/4	18	Top	p3/4 Opt.Mat. 1s
1	15 3/4	18	Deck	p3/4 Opt.Mat. 1s
1	15 3/4	18	Fixed Shelf	p3/4 Opt.Mat. 2s
4	15 1/2	17 7/8	Adjustable Shelf	p3/4 Adj Shf w/Facia

### Hardware

1	1 1/4	1	Door Pull	Supplied by Dealer
2	1	2 1/2	Hinge	Euro Hinge



**Assembly #25 - Study Tall - Room - 2nd Floor**

**105 Study-Library 2-12-10**

ASH/Slab Door

[www.KitchenDesignsbyMike.com](http://www.KitchenDesignsbyMike.com)

Left End = Unfinished

Right End = Unfinished

Date: 02/15/10

Page # 28

**Board Stock**

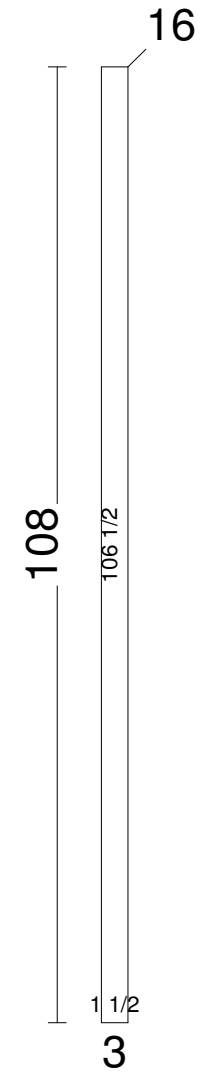
1 3 108 Solid Filler 3/4 OPT. S2S

**Comment**

TALL SOLID FILLER

**Assembly #26 - TSF396**

3 x 108 x 16 (1)



**Assembly #26 - TSF396 - Room - 2nd Floor**

**105 Study-Library 2-12-10**

ASH/Slab Door

www.KitchenDesignsbyMike.com

Left End = Finished

Right End = Unfinished

Date: 02/15/10

Page # 29

## Assembly #27 - Study Tall

34 x 108 x 25 1/2 (1)

### Doors

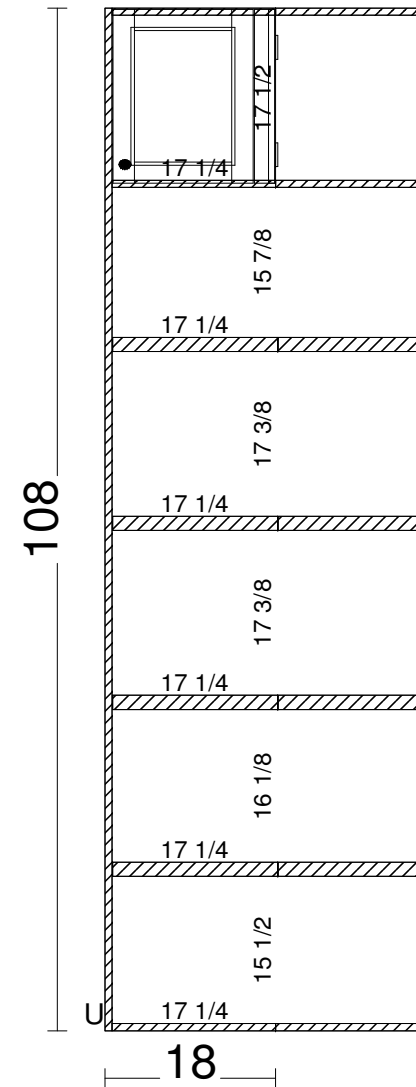
1	14 3/4	18 3/8	C8-18A-0-225 Shaker G	
1	2 1/8	18 3/8	Slab Door	*OPT MATERIAL
1	9 1/4	18 3/8	Slab Door	*OPT MATERIAL

### Panel Stock

1	15 3/4	108	Unfinished Left End	p3/4 Opt.Mat. 1s
1	25 1/4	108	Unfinished Right End	p3/4 Opt.Mat. 1s
1	34	108	Unfinished Back	p1/4 PF Mpl 1S
1	25 1/4	32 1/2	Top	p3/4 Opt.Mat. 1s
1	25 1/4	32 1/2	Deck	p3/4 Opt.Mat. 1s
1	25 1/4	32 1/2	Fixed Shelf	p3/4 Opt.Mat. 2s
4	25	32 3/8	Adjustable Shelf	p3/4 Adj Shf w/Facia

### Hardware

1	1 1/4	1	Door Pull	Supplied by Dealer
2	1	2 1/2	Hinge	Euro Hinge



Assembly #27 - Study Tall - Room - 2nd Floor

105 Study-Library 2-12-10

ASH/Slab Door

www.KitchenDesignsbyMike.com

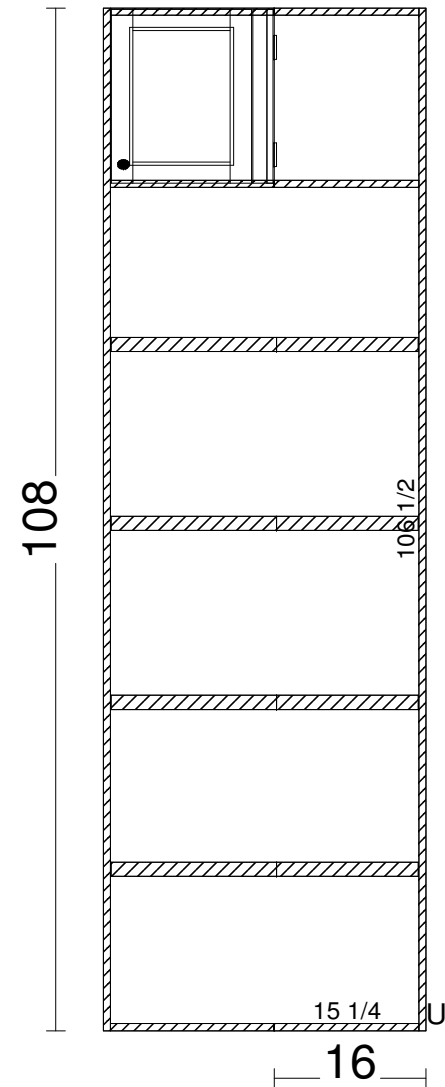
Left End = Unfinished

Right End = Unfinished

Date: 02/15/10

Page # 30

**Assembly #27 - Study Tall**  
34 x 108 x 25 1/2 (1)



**Assembly #27 - Study Tall - Room - 2nd Floor**

**105 Study-Library 2-12-10**

ASH/Slab Door

[www.KitchenDesignsbyMike.com](http://www.KitchenDesignsbyMike.com)

Left End = Unfinished

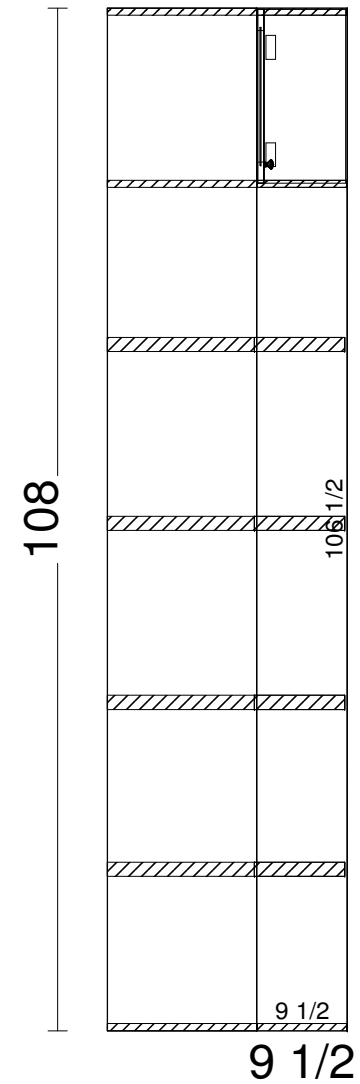
Right End = Unfinished

Date: 02/15/10

Page # 31

**Assembly #27 - Study Tall**

34 x 108 x 25 1/2 (1)



**Assembly #27 - Study Tall - Room - 2nd Floor**

**105 Study-Library 2-12-10**

ASH/Slab Door

[www.KitchenDesignsbyMike.com](http://www.KitchenDesignsbyMike.com)

Left End = Unfinished

Right End = Unfinished

Date: 02/15/10

Page # 32

**Panel Stock**

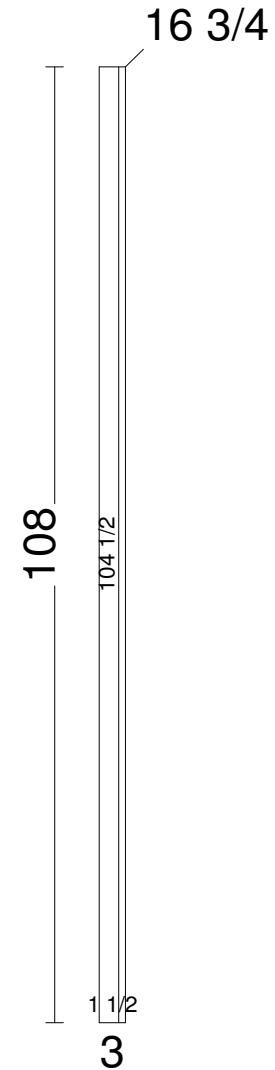
1 16 108 Filler p3/4 Opt.Mat. 1s

**Board Stock**

1 3 108 Filler 3/4 OPT. S2S

**Assembly #28 - TEF39624**

3 x 108 x 16 3/4 (1)



**Assembly #28 - TEF39624 - Room - 2nd Floor**

**105 Study-Library 2-12-10**

ASH/Slab Door

www.KitchenDesignsbyMike.com

Left End =

Right End = Unfinished

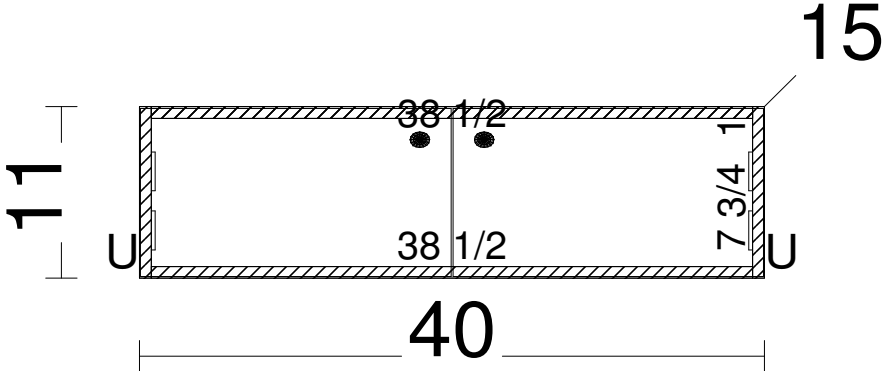
Date: 02/15/10

Page # 33

**Assembly #29 - Window Seat**

40 x 11 x 15 (1)

<b>Doors</b>				
2	19 7/8	10 3/4	Slab Door	*OPT MATERIAL
<b>Panel Stock</b>				
1	14 3/4	11	Unfinished Left End	p3/4 Opt.Mat. 1s
1	14 3/4	11	Unfinished Right End	p3/4 Opt.Mat. 1s
1	40	11	Unfinished Back	p1/4 PF Mpl 1S
2	4	38 1/2	Stretcher	p3/4 Opt.Mat. 1s
1	14 3/4	38 1/2	Deck	p3/4 Opt.Mat. 1s
<b>Hardware</b>				
2	1 1/4	1	Door Pull	Supplied by Dealer
4	1	2 1/2	Hinge	Euro Hinge



**Assembly #29 - Window Seat - Room - 2nd Floor**

**105 Study-Library 2-12-10**

ASH/Slab Door

www.KitchenDesignsbyMike.com

Left End = Unfinished

Right End = Unfinished

Date: 02/15/10

Page # 34

**Board Stock**

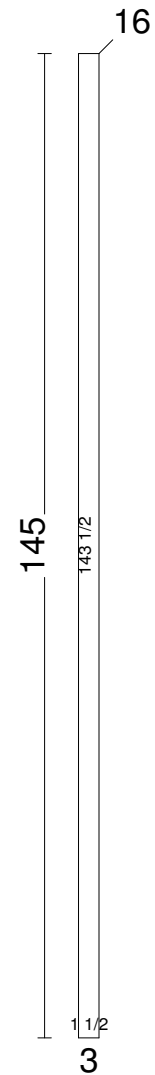
1 3 145 Solid Filler 3/4 OPT. S2S

**Comment**

TALL SOLID FILLER

**Assembly #3 - TSF396**

3 x 145 x 16 (1)



**Assembly #3 - TSF396 - Room - 1ST Floor**

**105 Study-Library 2-12-10**

ASH/Slab Door

www.KitchenDesignsbyMike.com

Left End = Finished

Right End = Unfinished

Date: 02/15/10

Page # 35

**Panel Stock**

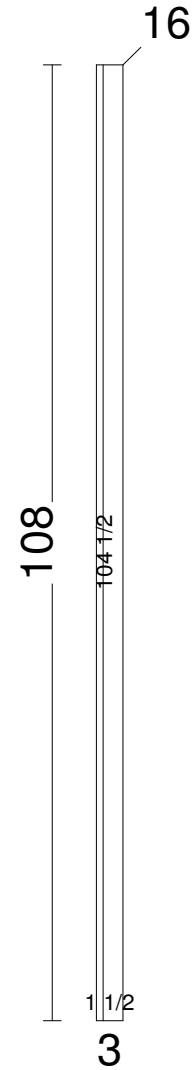
1 16 108 Filler p3/4 Opt.Mat. 1s

**Board Stock**

1 3 108 Filler 3/4 OPT. S2S

**Assembly #30 - TEP39624**

3 x 108 x 16 (1)



**Assembly #30 - TEP39624 - Room - 2nd Floor**

**105 Study-Library 2-12-10**

ASH/Slab Door

www.KitchenDesignsbyMike.com

Left End =

Right End = Unfinished

Date: 02/15/10

Page # 36

### Assembly #31 - Study Tall

22 1/2 x 108 x 16 (1)

#### Doors

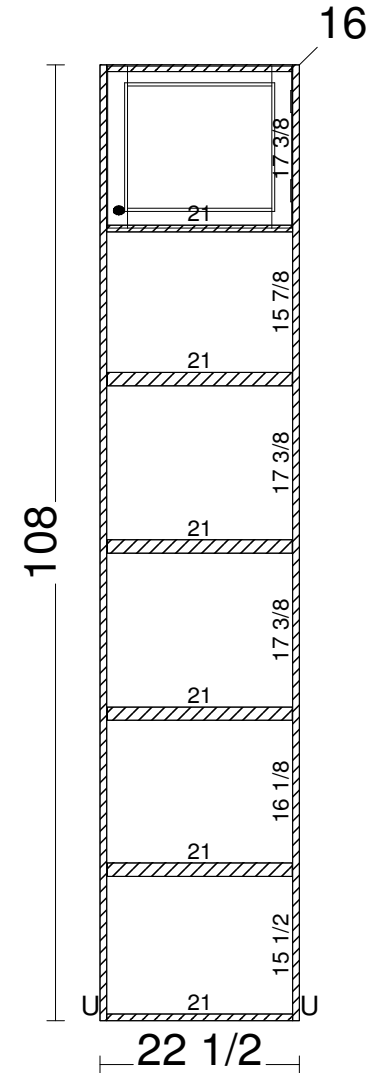
1 20 3/4 18 3/8 C8-18A-0-225 Shaker G

#### Panel Stock

1	15 3/4	108	Unfinished Left End	p3/4 Opt.Mat. 1s
1	15 3/4	108	Unfinished Right End	p3/4 Opt.Mat. 1s
1	22 1/2	108	Unfinished Back	p1/4 PF Mpl 1S
1	15 3/4	21	Top	p3/4 Opt.Mat. 1s
1	15 3/4	21	Deck	p3/4 Opt.Mat. 1s
1	15 3/4	21	Fixed Shelf	p3/4 Opt.Mat. 2s
4	15 1/2	20 7/8	Adjustable Shelf	p3/4 Adj Shf w/Facia

#### Hardware

1	1 1/4	1	Door Pull	Supplied by Dealer
2	1	2 1/2	Hinge	Euro Hinge



Assembly #31 - Study Tall - Room - 2nd Floor

105 Study-Library 2-12-10

ASH/Slab Door

www.KitchenDesignsbyMike.com

Left End = Unfinished

Right End = Unfinished

Date: 02/15/10

Page # 37

**Board Stock**

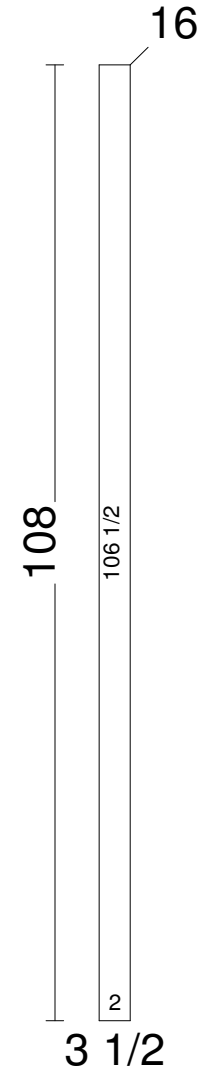
1 3 1/2 108 Solid Filler 3/4 OPT. S2S

**Comment**

TALL SOLID FILLER

**Assembly #32 - TSF396**

3 1/2 x 108 x 16 (1)



**Assembly #32 - TSF396 - Room - 2nd Floor**

**105 Study-Library 2-12-10**

ASH/Slab Door

www.KitchenDesignsbyMike.com

Left End = Finished

Right End = Finished

Date: 02/15/10

Page # 38

**Board Stock**

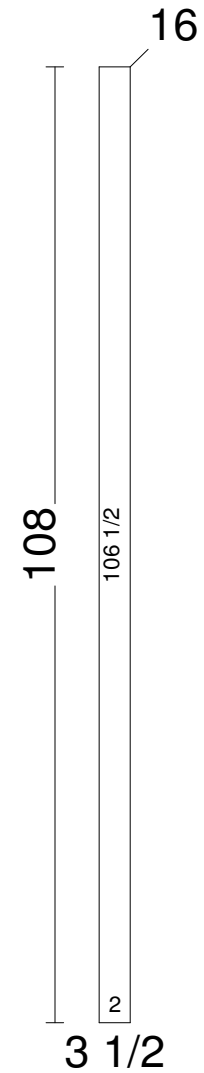
1      3 1/2      108      Solid Filler      3/4 OPT. S2S

**Comment**

TALL SOLID FILLER

**Assembly #33 - TSF396**

3 1/2 x 108 x 16 (1)



**Assembly #33 - TSF396 - Room - 2nd Floor**

**105 Study-Library 2-12-10**

ASH/Slab Door

[www.KitchenDesignsbyMike.com](http://www.KitchenDesignsbyMike.com)

Left End = Finished

Right End = Finished

Date: 02/15/10

Page # 39

### Assembly #34 - Study Tall

22 1/2 x 108 x 16 (1)

#### Doors

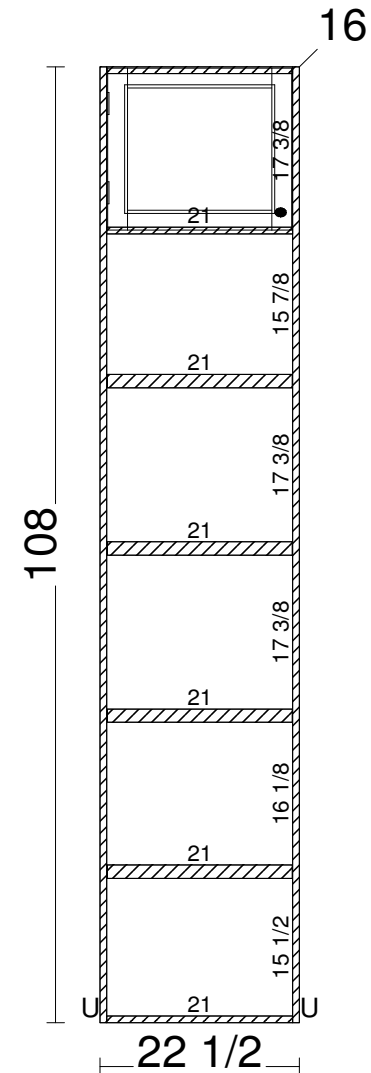
1 20 3/4 18 3/8 C8-18A-0-225 Shaker G

#### Panel Stock

1	15 3/4	108	Unfinished Left End	p3/4 Opt.Mat. 1s
1	15 3/4	108	Unfinished Right End	p3/4 Opt.Mat. 1s
1	22 1/2	108	Unfinished Back	p1/4 PF Mpl 1S
1	15 3/4	21	Top	p3/4 Opt.Mat. 1s
1	15 3/4	21	Deck	p3/4 Opt.Mat. 1s
1	15 3/4	21	Fixed Shelf	p3/4 Opt.Mat. 2s
4	15 1/2	20 7/8	Adjustable Shelf	p3/4 Adj Shf w/Facia

#### Hardware

1	1 1/4	1	Door Pull	Supplied by Dealer
2	1	2 1/2	Hinge	Euro Hinge



Assembly #34 - Study Tall - Room - 2nd Floor

105 Study-Library 2-12-10

ASH/Slab Door

www.KitchenDesignsbyMike.com

Left End = Unfinished

Right End = Unfinished

Date: 02/15/10

Page # 40

**Panel Stock**

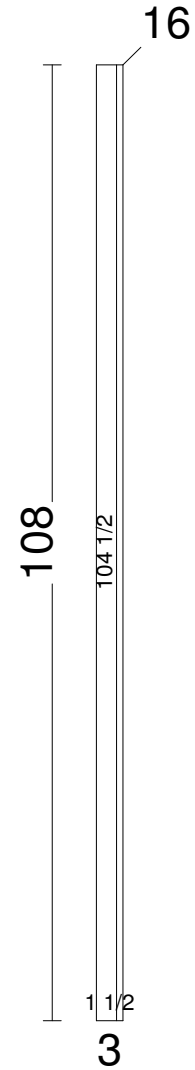
1 16 108 Filler p3/4 Opt.Mat. 1s

**Board Stock**

1 3 108 Filler 3/4 OPT. S2S

**Assembly #35 - TEP39624**

3 x 108 x 16 (1)



**Assembly #35 - TEP39624 - Room - 2nd Floor**

**105 Study-Library 2-12-10**

ASH/Slab Door

www.KitchenDesignsbyMike.com

Left End =

Right End = Unfinished

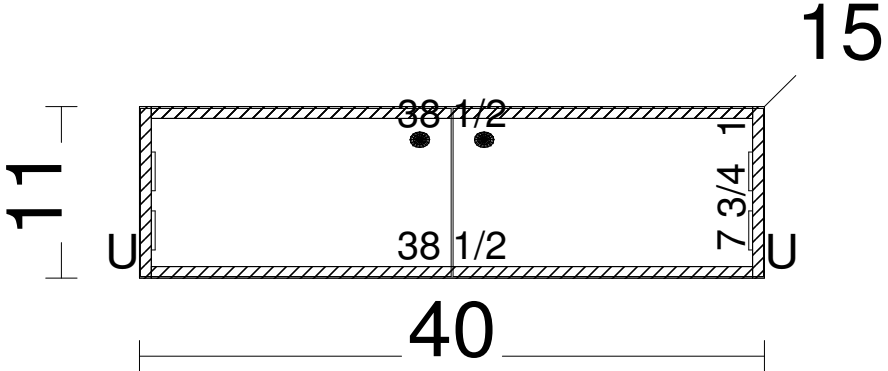
Date: 02/15/10

Page # 41

**Assembly #36 - Window Seat**

40 x 11 x 15 (1)

<b>Doors</b>				
2	19 7/8	10 3/4	Slab Door	*OPT MATERIAL
<b>Panel Stock</b>				
1	14 3/4	11	Unfinished Left End	p3/4 Opt.Mat. 1s
1	14 3/4	11	Unfinished Right End	p3/4 Opt.Mat. 1s
1	40	11	Unfinished Back	p1/4 PF Mpl 1S
2	4	38 1/2	Stretcher	p3/4 Opt.Mat. 1s
1	14 3/4	38 1/2	Deck	p3/4 Opt.Mat. 1s
<b>Hardware</b>				
2	1 1/4	1	Door Pull	Supplied by Dealer
4	1	2 1/2	Hinge	Euro Hinge



**Assembly #36 - Window Seat - Room - 2nd Floor**

**105 Study-Library 2-12-10**

ASH/Slab Door

www.KitchenDesignsbyMike.com

Left End = Unfinished

Right End = Unfinished

Date: 02/15/10

Page # 42

**Panel Stock**

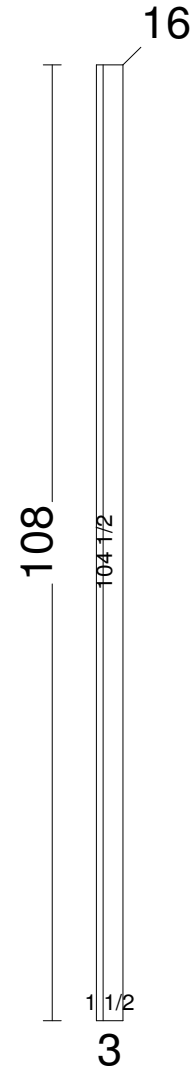
1 16 108 Filler p3/4 Opt.Mat. 1s

**Board Stock**

1 3 108 Filler 3/4 OPT. S2S

**Assembly #37 - TEP39624**

3 x 108 x 16 (1)



**Assembly #37 - TEP39624 - Room - 2nd Floor**

**105 Study-Library 2-12-10**

ASH/Slab Door

www.KitchenDesignsbyMike.com

Left End =

Right End = Unfinished

Date: 02/15/10

Page # 43

## Assembly #38 - Study Tall

23 x 108 x 16 (1)

### Doors

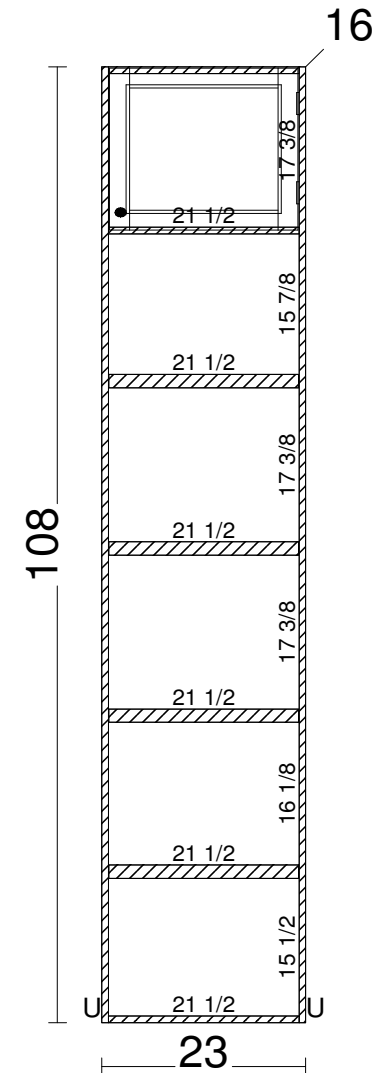
1	21 1/4	18 3/8	C8-18A-0-225 Shaker G
---	--------	--------	-----------------------

### Panel Stock

1	15 3/4	108	Unfinished Left End	p3/4 Opt.Mat. 1s
1	15 3/4	108	Unfinished Right End	p3/4 Opt.Mat. 1s
1	23	108	Unfinished Back	p1/4 PF Mpl 1S
1	15 3/4	21 1/2	Top	p3/4 Opt.Mat. 1s
1	15 3/4	21 1/2	Deck	p3/4 Opt.Mat. 1s
1	15 3/4	21 1/2	Fixed Shelf	p3/4 Opt.Mat. 2s
4	15 1/2	21 3/8	Adjustable Shelf	p3/4 Adj Shf w/Facia

### Hardware

1	1 1/4	1	Door Pull	Supplied by Dealer
2	1	2 1/2	Hinge	Euro Hinge



**Assembly #38 - Study Tall - Room - 2nd Floor**

**105 Study-Library 2-12-10**

ASH/Slab Door

[www.KitchenDesignsbyMike.com](http://www.KitchenDesignsbyMike.com)

Left End = Unfinished

Right End = Unfinished

Date: 02/15/10

Page # 44

**Board Stock**

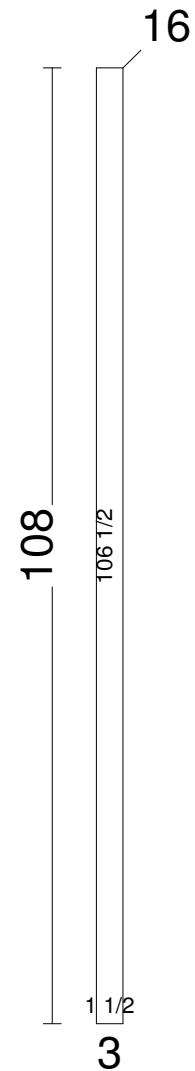
1 3 108 Solid Filler 3/4 OPT. S2S

**Comment**

TALL SOLID FILLER

**Assembly #39 - TSF396**

3 x 108 x 16 (1)



**Assembly #39 - TSF396 - Room - 2nd Floor**

**105 Study-Library 2-12-10**

ASH/Slab Door

www.KitchenDesignsbyMike.com

Left End = Finished

Right End = Unfinished

Date: 02/15/10

Page # 45

**Panel Stock**

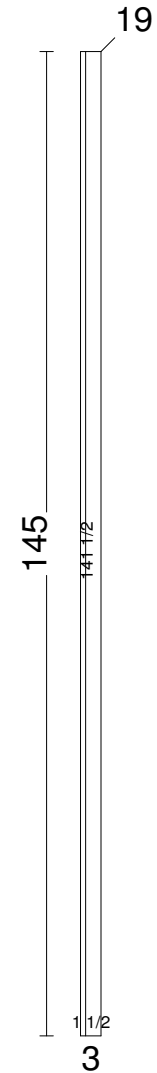
1 19 145 Filler p3/4 Opt.Mat. 1s

**Board Stock**

1 3 145 Filler 3/4 OPT. S2S

**Assembly #4 - TEF39624**

3 x 145 x 19 (1)



**Assembly #4 - TEF39624 - Room - 1ST Floor**

**105 Study-Library 2-12-10**

ASH/Slab Door

www.KitchenDesignsbyMike.com

Left End =

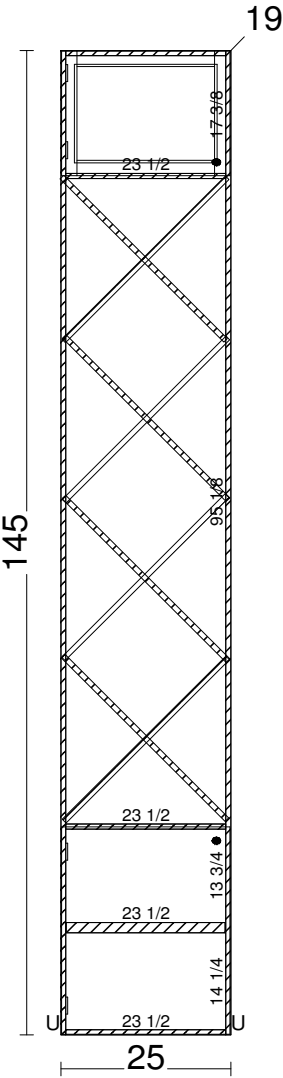
Right End = Unfinished

Date: 02/15/10

Page # 46

**Assembly #5 - Study Tall**  
**25 x 145 x 19 (1)**

<b>Doors</b>				
1	24 3/4	18 3/8	C8-18A-0-225 Shaker G18A-MPL	
1	24 3/4	30 1/2	Slab Door	*OPT MATERIAL
<b>Panel Stock</b>				
1	18 3/4	145	Unfinished Left End	p3/4 Opt.Mat. 1s
1	18 3/4	145	Unfinished Right End	p3/4 Opt.Mat. 1s
1	25	145	Unfinished Back	p1/4 PF Mpl 1S
1	18 3/4	23 1/2	Top	p3/4 Opt.Mat. 1s
1	18 3/4	23 1/2	Deck	p3/4 Opt.Mat. 1s
8	18 3/4	34	Partition	p3/4 Opt.Mat. 2s
2	18 3/4	23 1/2	Fixed Shelf	p3/4 Opt.Mat. 2s
1	18 1/2	23 3/8	Adjustable Shelf	p3/4 Adj Shf w/Facia
<b>Hardware</b>				
2	1 1/4	1	Door Pull	Supplied by Dealer
4	1	2 1/2	Hinge	Euro Hinge



**Assembly #5 - Study Tall - Room - 1ST Floor**

**105 Study-Library 2-12-10**

ASH/Slab Door

www.KitchenDesignsbyMike.com

Left End = Unfinished

Right End = Unfinished

Date: 02/15/10

Page # 47

**Panel Stock**

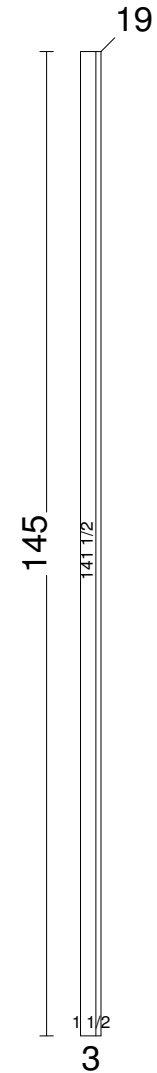
1 19 145 Filler p3/4 Opt.Mat. 1s

**Board Stock**

1 3 145 Filler 3/4 OPT. S2S

**Assembly #6 - TEF39624**

3 x 145 x 19 (1)



**Assembly #6 - TEF39624 - Room - 1ST Floor**

**105 Study-Library 2-12-10**

ASH/Slab Door

[www.KitchenDesignsbyMike.com](http://www.KitchenDesignsbyMike.com)

Left End =

Right End = Unfinished

Date: 02/15/10

Page # 48

**Panel Stock**

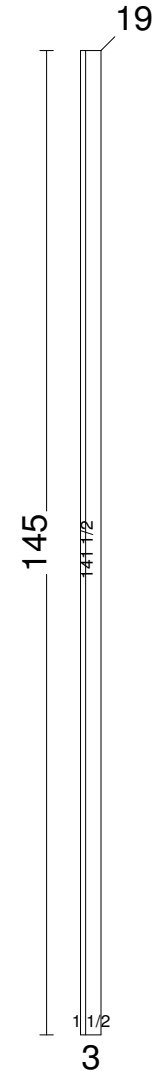
1 19 145 Filler p3/4 Opt.Mat. 1s

**Board Stock**

1 3 145 Filler 3/4 OPT. S2S

**Assembly #7 - TEF39624**

3 x 145 x 19 (1)



**Assembly #7 - TEF39624 - Room - 1ST Floor**

**105 Study-Library 2-12-10**

ASH/Slab Door

[www.KitchenDesignsbyMike.com](http://www.KitchenDesignsbyMike.com)

Left End =

Right End = Unfinished

Date: 02/15/10

Page # 49

## Assembly #8 - Study Tall Diagonals

25 x 145 x 19 (1)

### Doors

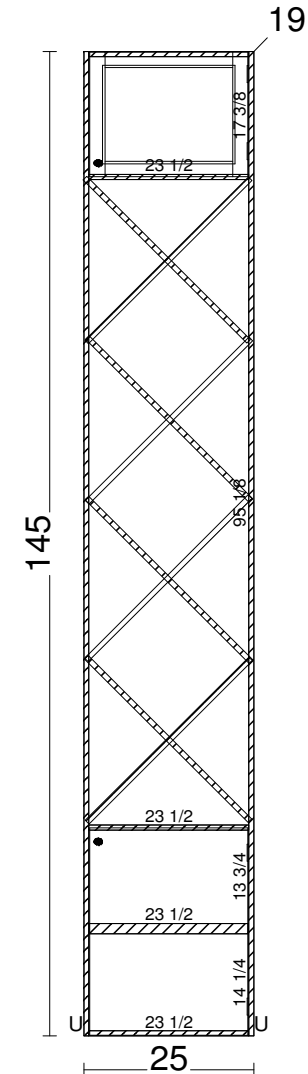
1	23 1/4	18 3/8	C8-18A-0-225 Shaker G18A-MPL
1	23 1/4	30 1/2	Slab Door *OPT MATERIAL

### Panel Stock

1	18 3/4	145	Unfinished Left End	p3/4 Opt.Mat. 1s
1	18 3/4	145	Unfinished Right End	p3/4 Opt.Mat. 1s
1	25	145	Unfinished Back	p1/4 PF Mpl 1S
1	18 3/4	23 1/2	Top	p3/4 Opt.Mat. 1s
1	18 3/4	23 1/2	Deck	p3/4 Opt.Mat. 1s
8	18 3/4	34	Partition	p3/4 Opt.Mat. 2s
2	18 3/4	23 1/2	Fixed Shelf	p3/4 Opt.Mat. 2s
1	18 1/2	23 3/8	Adjustable Shelf	p3/4 Adj Shf w/Facia

### Hardware

2	1 1/4	1	Door Pull	Supplied by Dealer
4	1	2 1/2	Hinge	Euro Hinge



**Assembly #8 - Study Tall Diagonals - Room - 1ST Floor**

**105 Study-Library 2-12-10**

ASH/Slab Door

[www.KitchenDesignsbyMike.com](http://www.KitchenDesignsbyMike.com)

Left End = Unfinished

Right End = Unfinished

Date: 02/15/10

Page # 50

**Panel Stock**

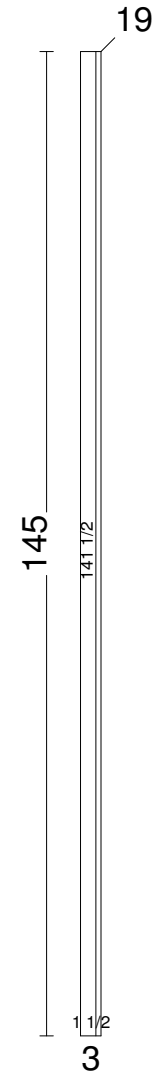
1 19 145 Filler p3/4 Opt.Mat. 1s

**Board Stock**

1 3 145 Filler 3/4 OPT. S2S

**Assembly #9 - TEF39624**

3 x 145 x 19 (1)



**Assembly #9 - TEF39624 - Room - 1ST Floor**

**105 Study-Library 2-12-10**

ASH/Slab Door

www.KitchenDesignsbyMike.com

Left End =

Right End = Unfinished

Date: 02/15/10

Page # 51