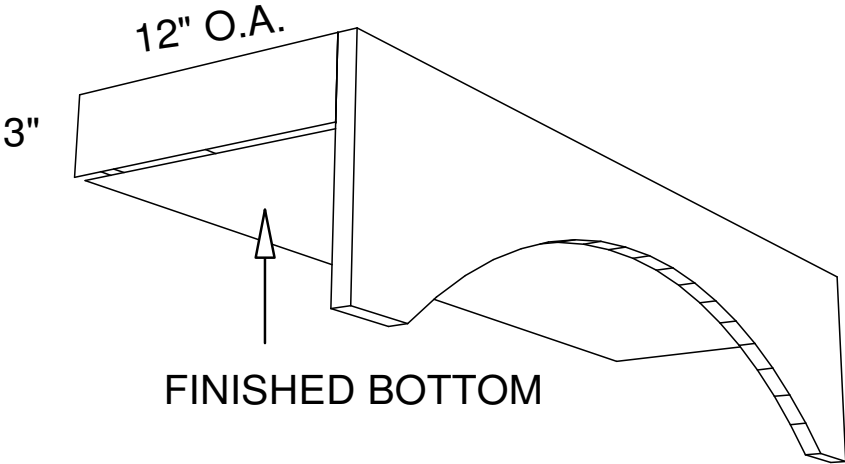
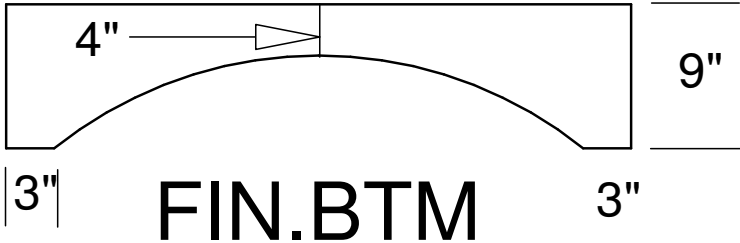
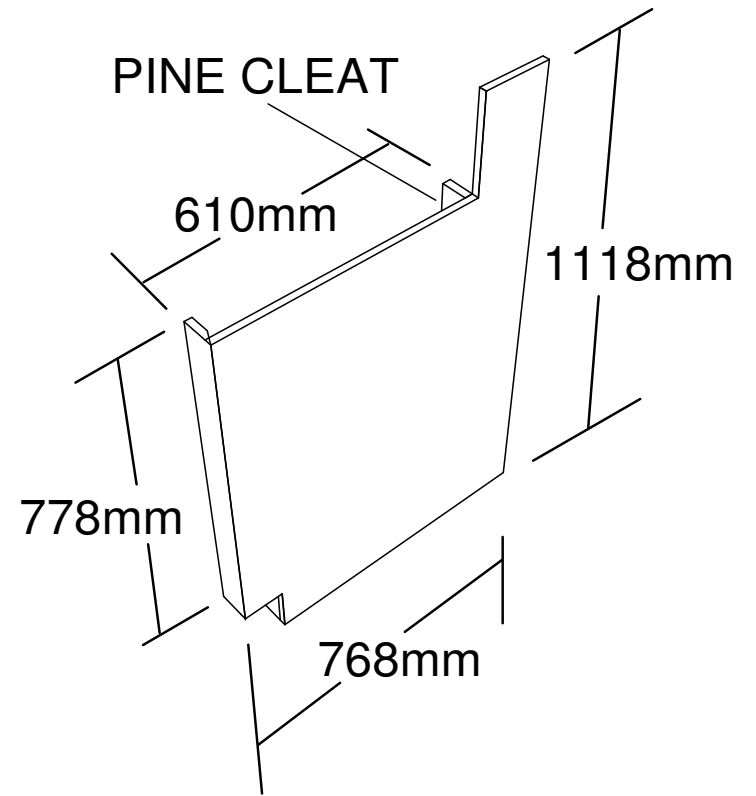
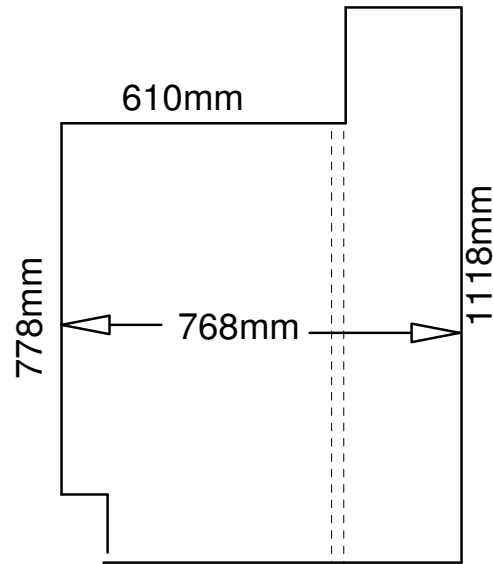
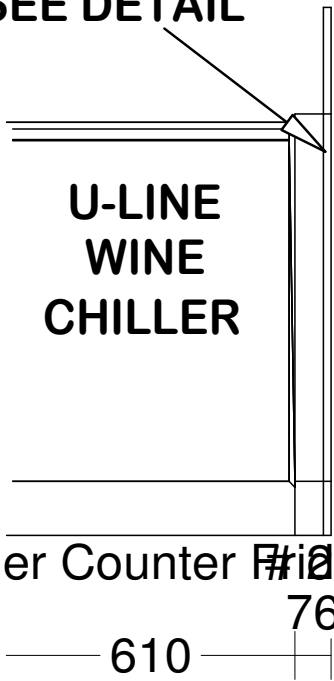


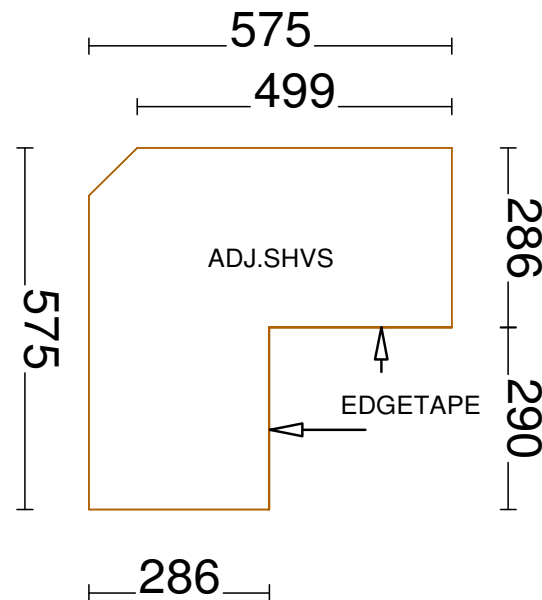
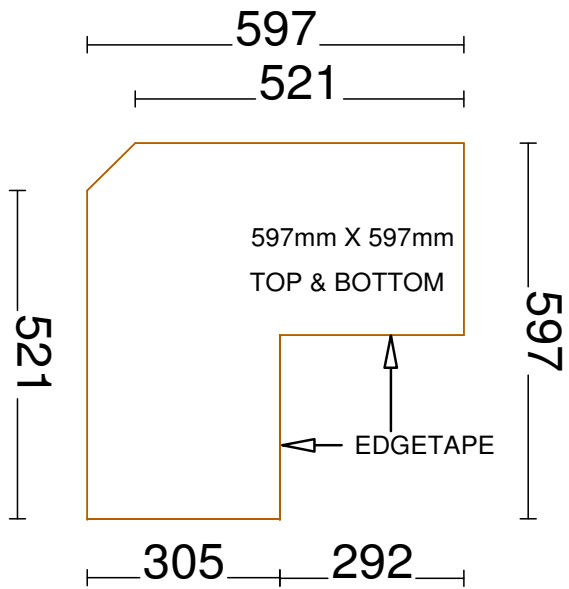
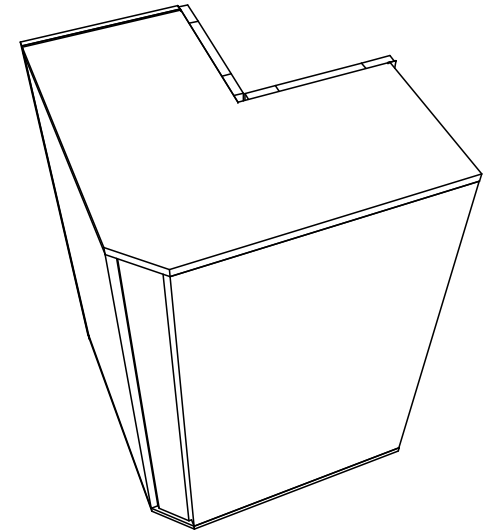
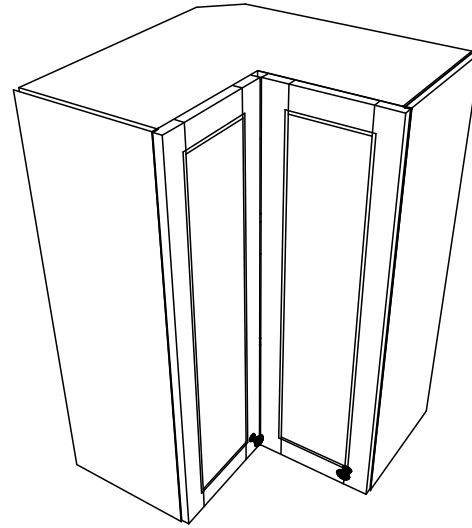
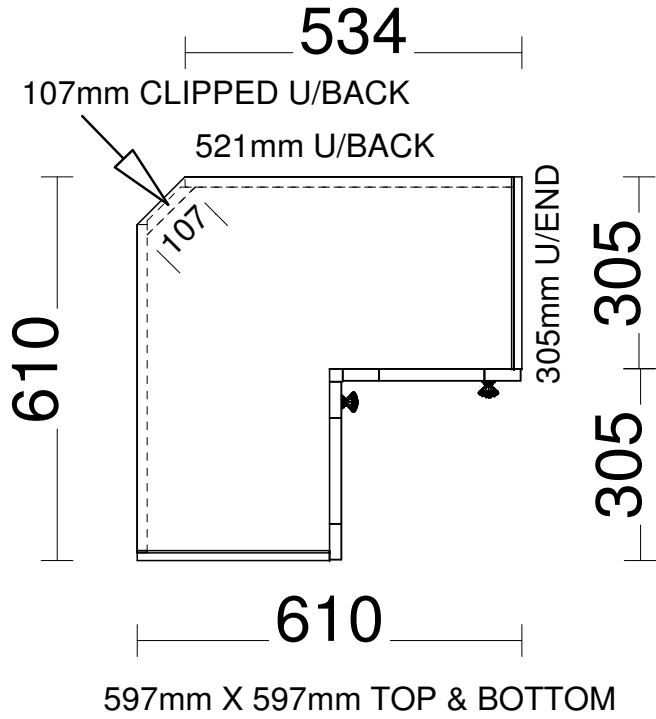
FIN. SHELF W/ARCHED FACIA



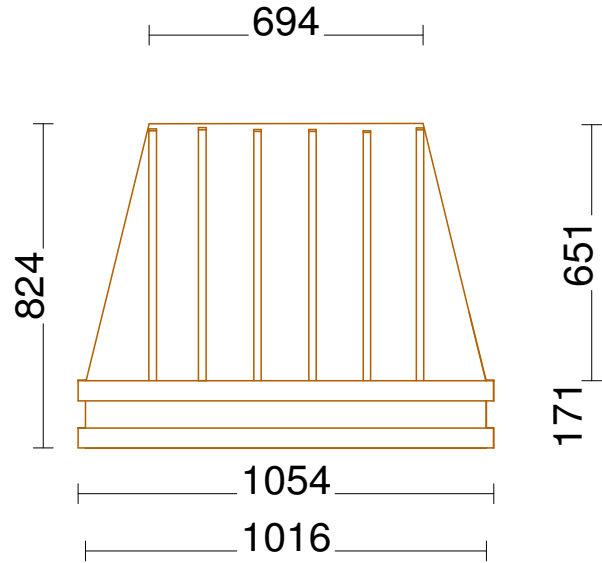
KITCHEN PENNINSULA END PANEL DETAIL

PNL-SEE DETAIL

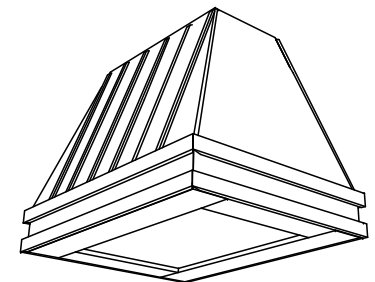
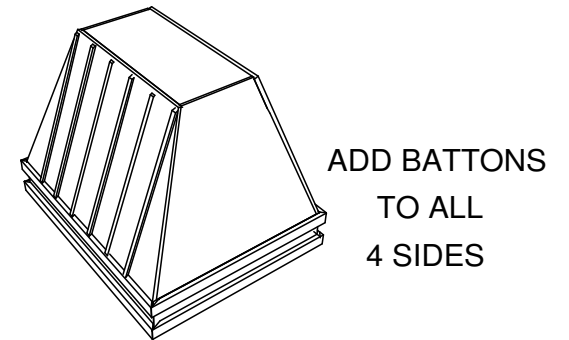
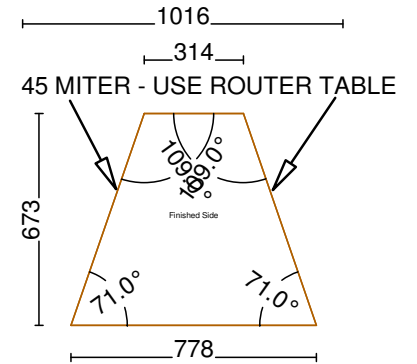
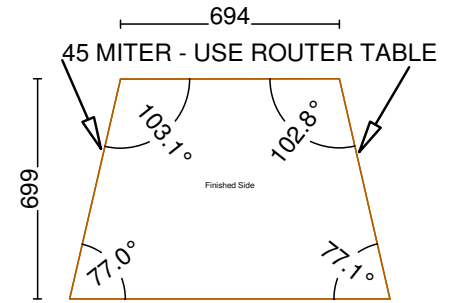
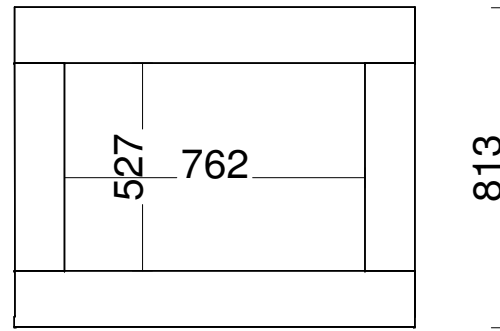
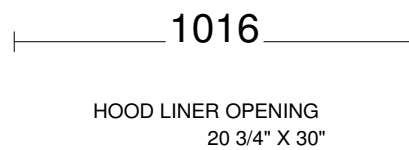
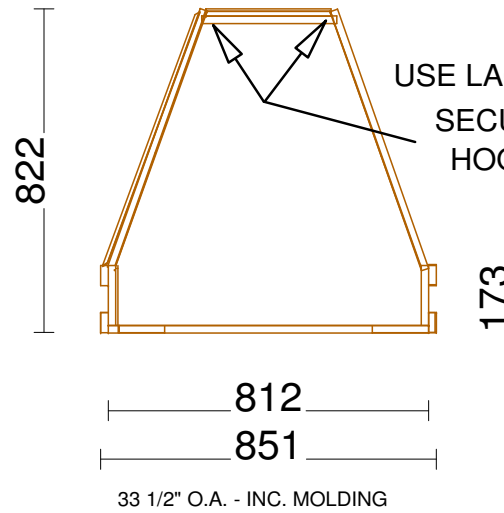
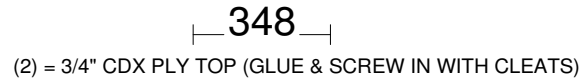
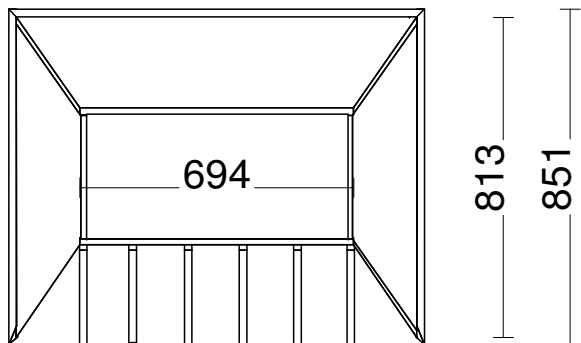
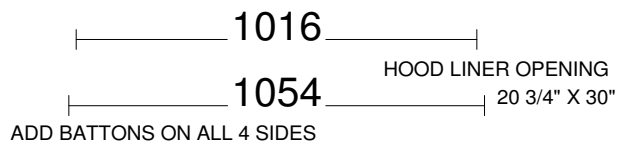




USE 3/4" CHERRY PLY

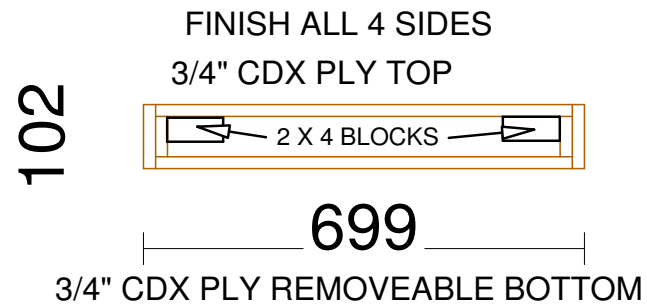
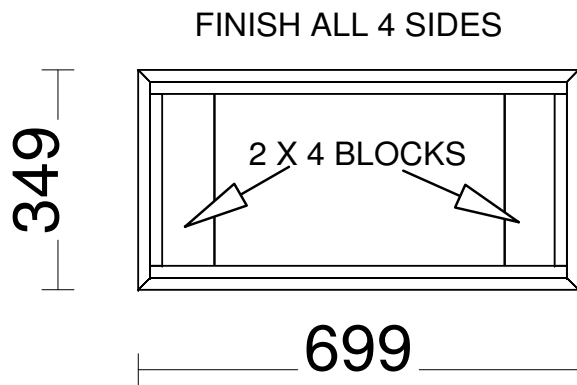
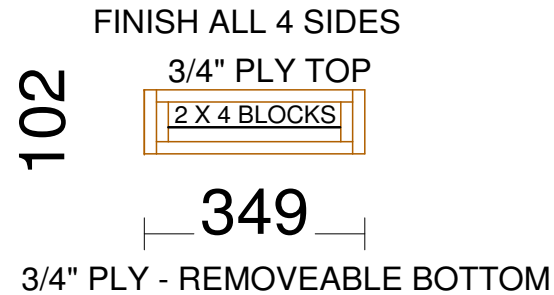
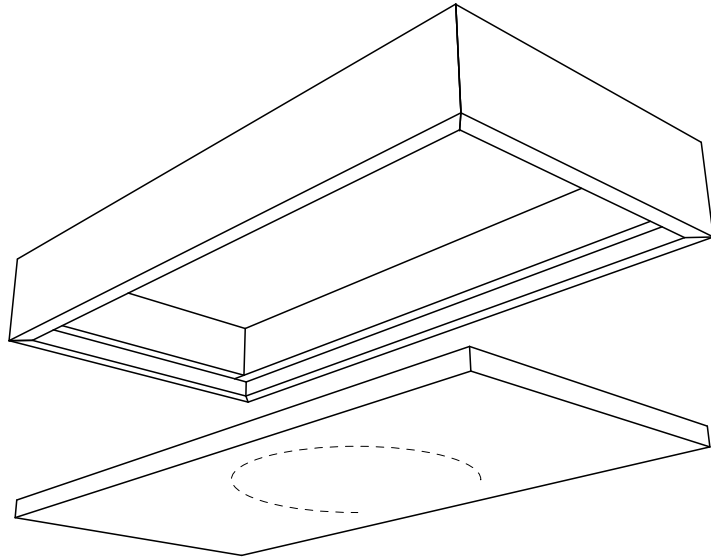


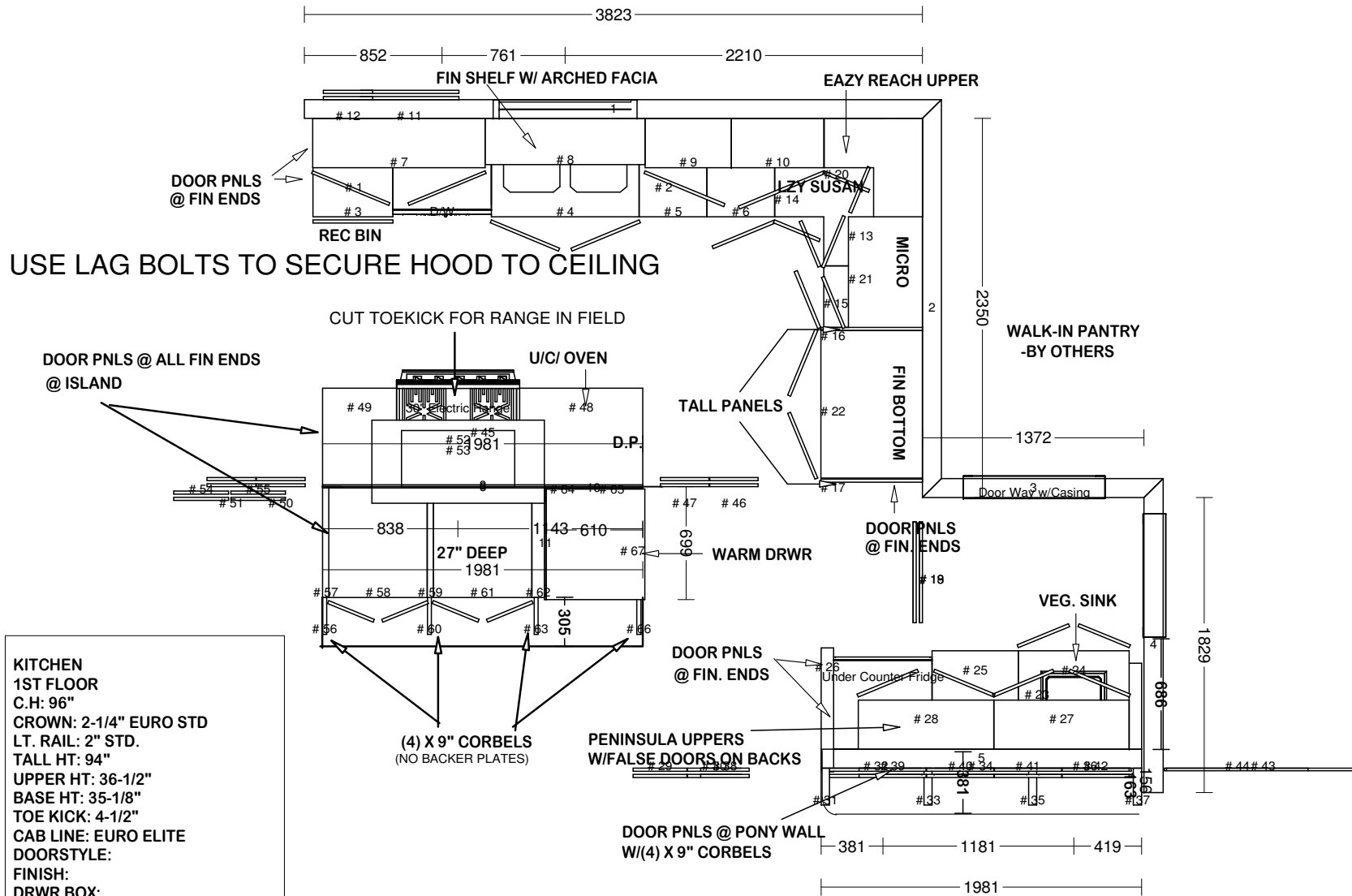
41 1/2" O.A. - INC. MOLDING



HOOD MOUNT

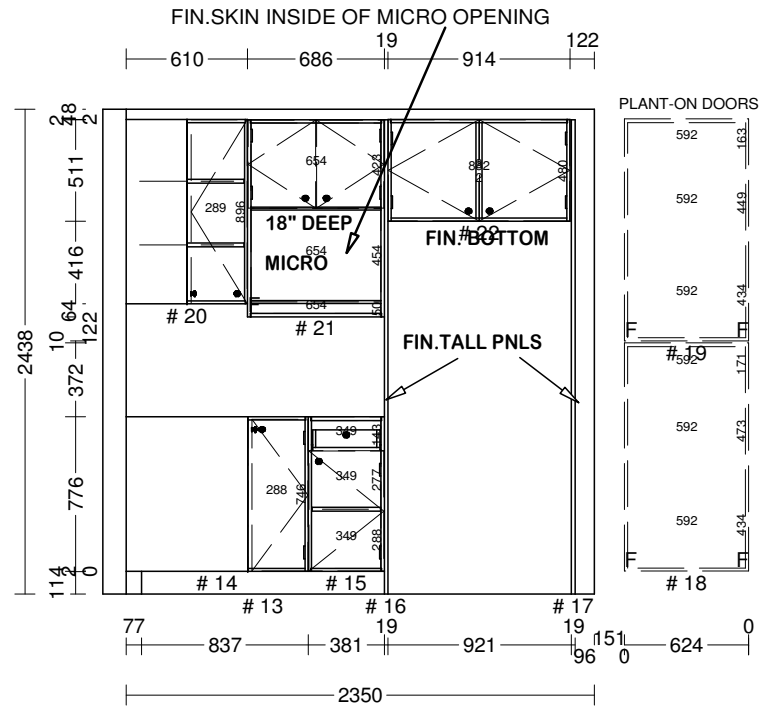
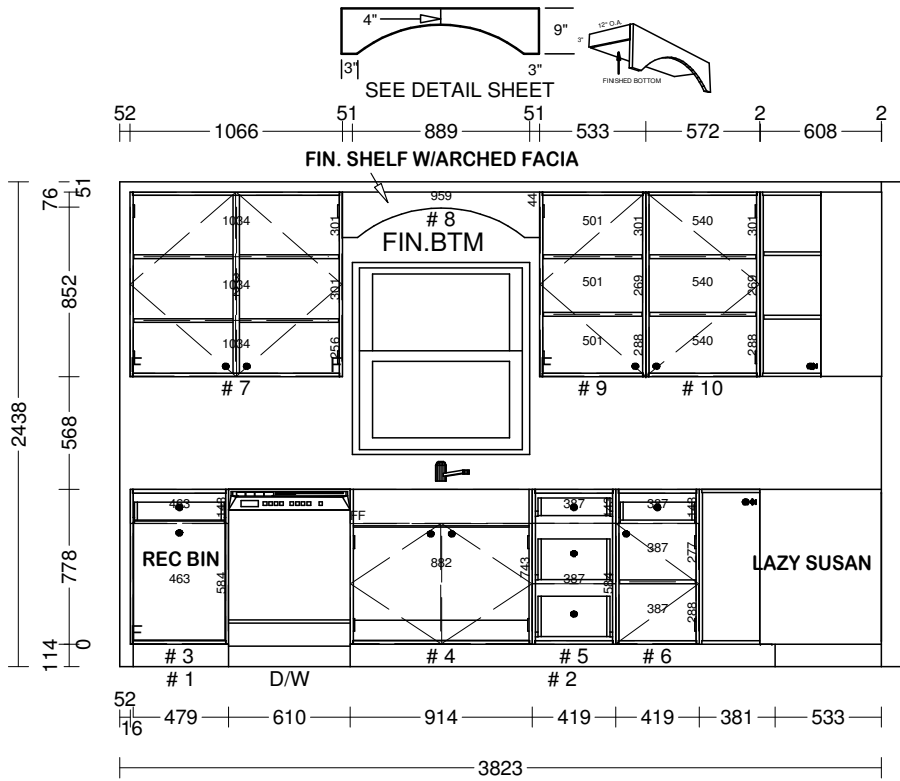
CUT TOPS FOR VENT PIPE
USE LAG BOLTS TO MOUNT TO CEILING
GLUE & SCREW BOTTOM ON

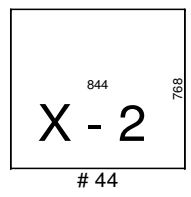
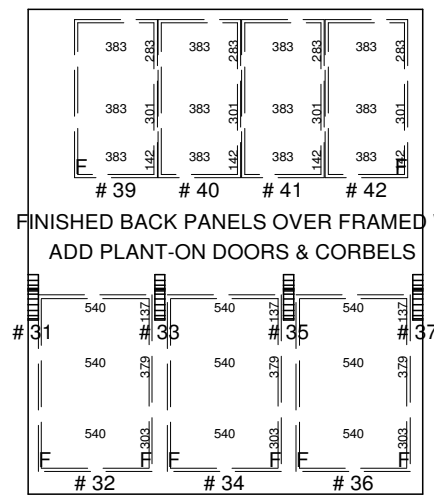
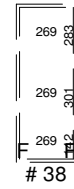
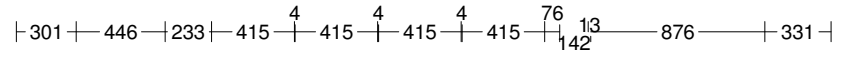
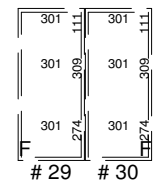
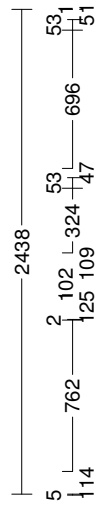
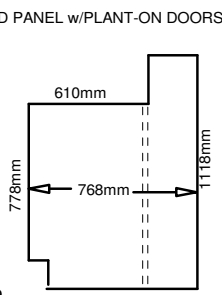
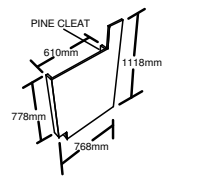
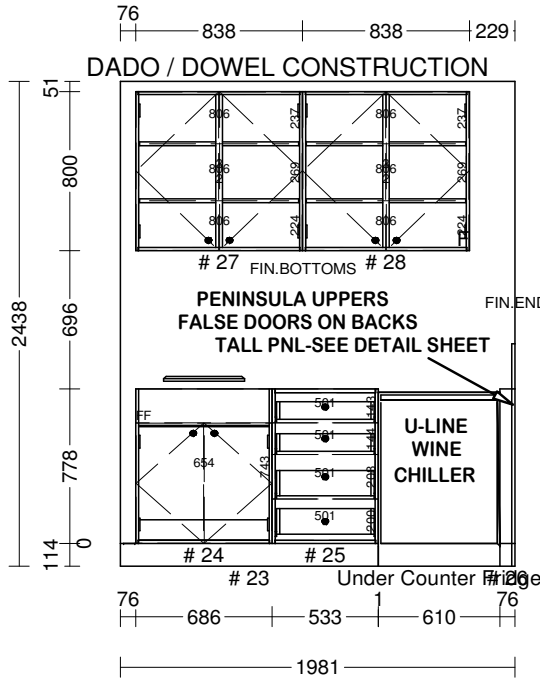




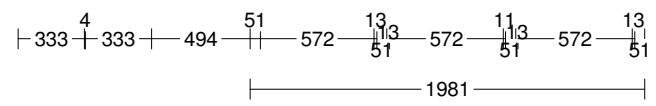
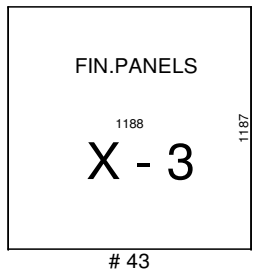
KITCHEN
 1ST FLOOR
 C.H: 96"
 CROWN: 2-1/4" EURO STD
 LT. RAIL: 2" STD.
 TALL HT: 94"
 UPPER HT: 36-1/2"
 BASE HT: 35-1/8"
 TOE KICK: 4-1/2"
 CAB LINE: EURO ELITE
 DOORSTYLE:
 FINISH:
 DRWR BOX:

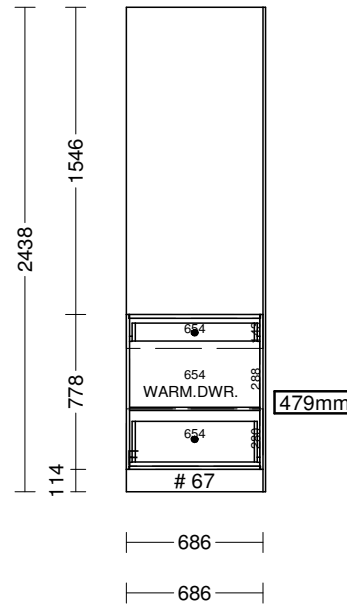
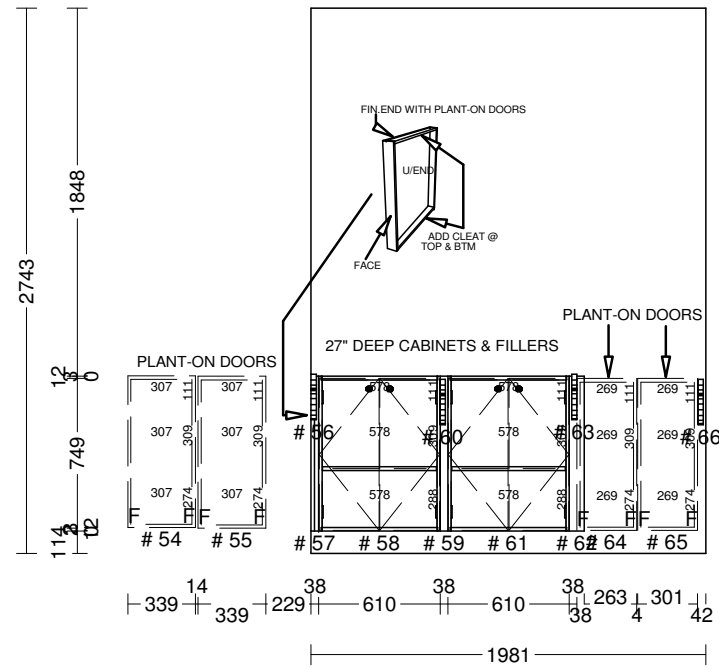
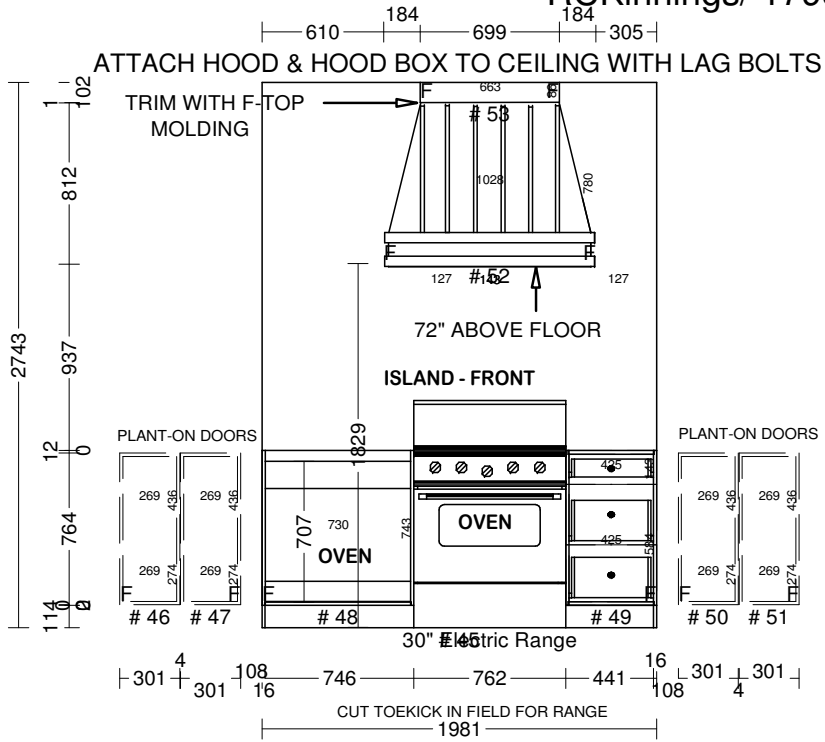
ALL SINK TEMPLATES TO BE ON-SITE FOR CUT-OUT



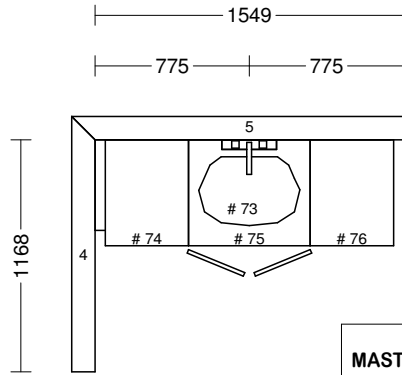
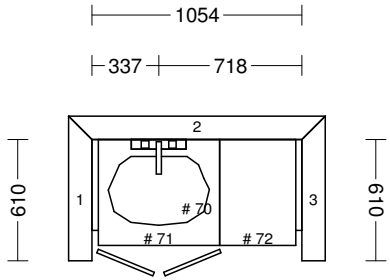


FINISHED BACK PANELS OVER FRAMED WALL
ADD PLANT-ON DOORS & CORBELS

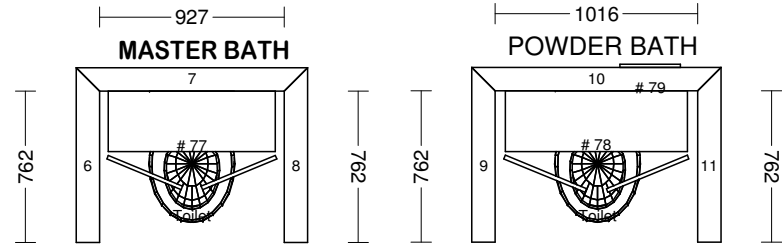




ALL SINK TEMPLATES TO BE ON-SITE FOR CUT-OUT

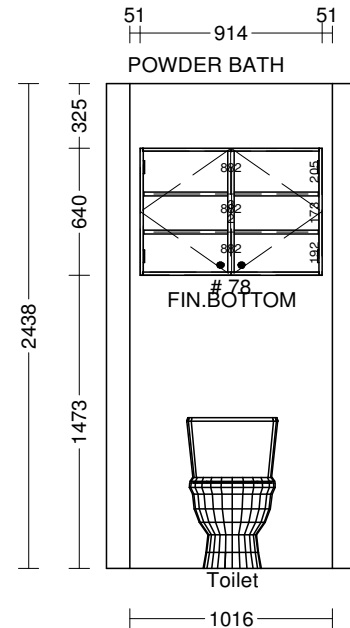
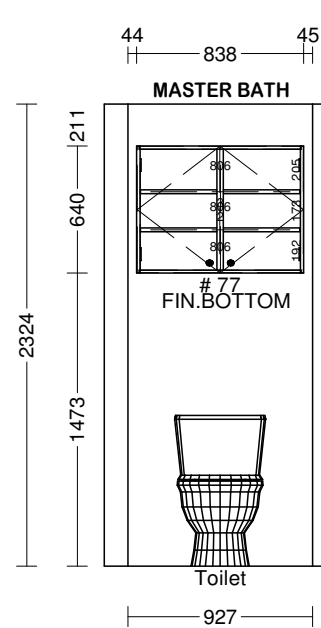
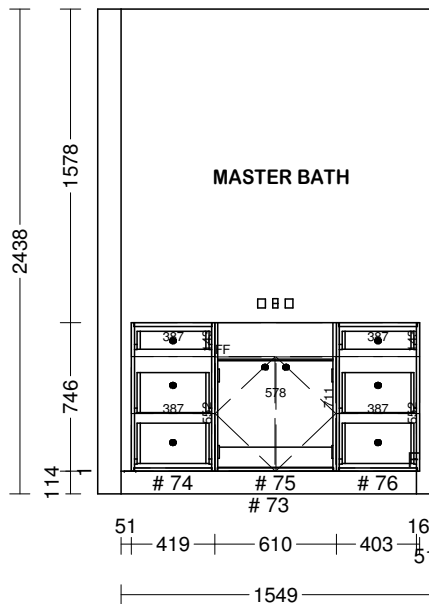
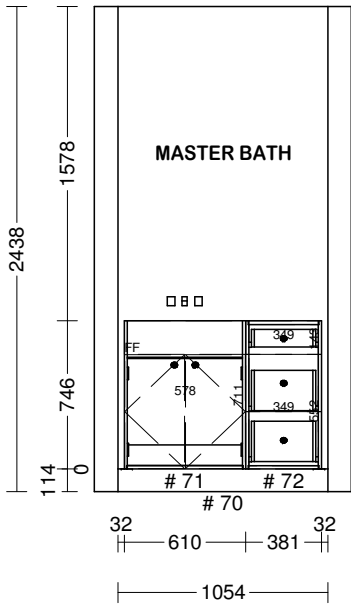


**MASTER BATH
1ST FLOOR
BASE HT: 33-7/8"
TOEKICK: 4-1/2"**



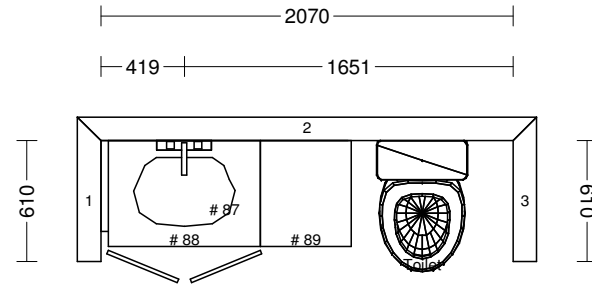
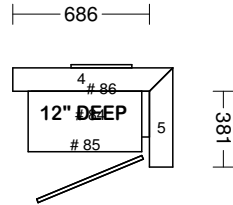
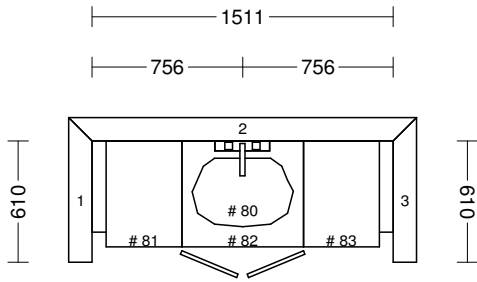
FIN.BOTTOMS ON UPPERS

HANG UPPERS @ 58" ABOVE FLOOR



Toilet

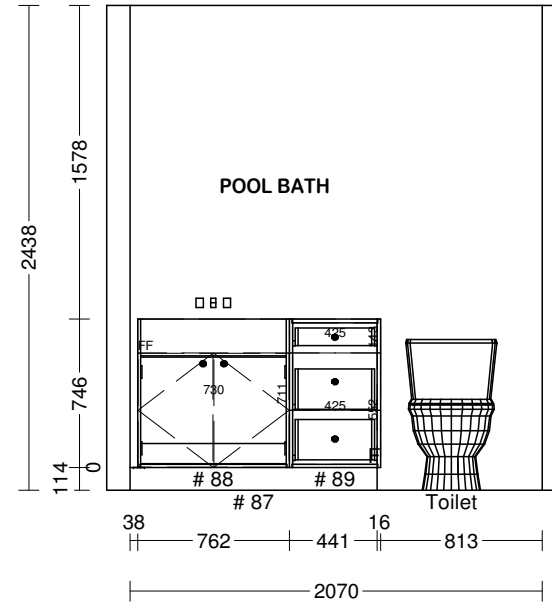
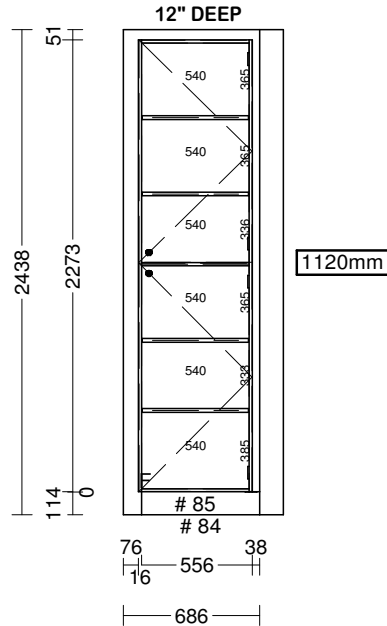
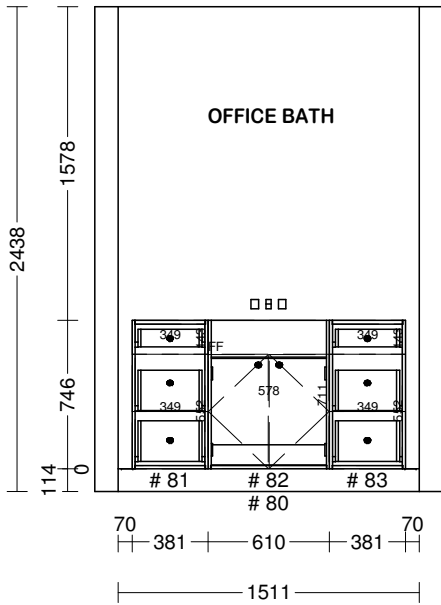
Toilet

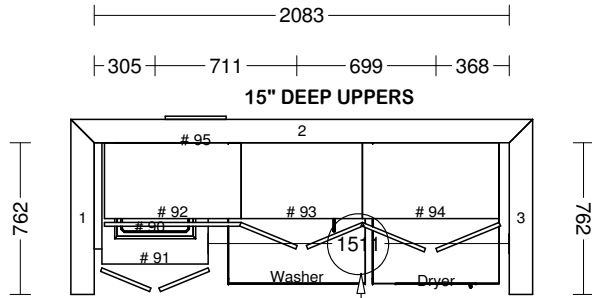
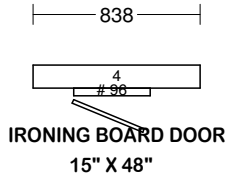


OFFICE BATH
2ND FLOOR
BASE HT: 33-7/8"
TOEKICK: 4-1/2"

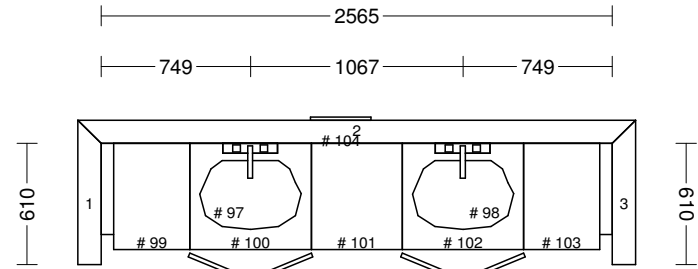
POOL BATH
1ST FLOOR
BASE HT: 33-7/8"
TOEKICK: 4-1/2"

ALL SINK TEMPLATES TO BE ON-SITE FOR CUT-OUT





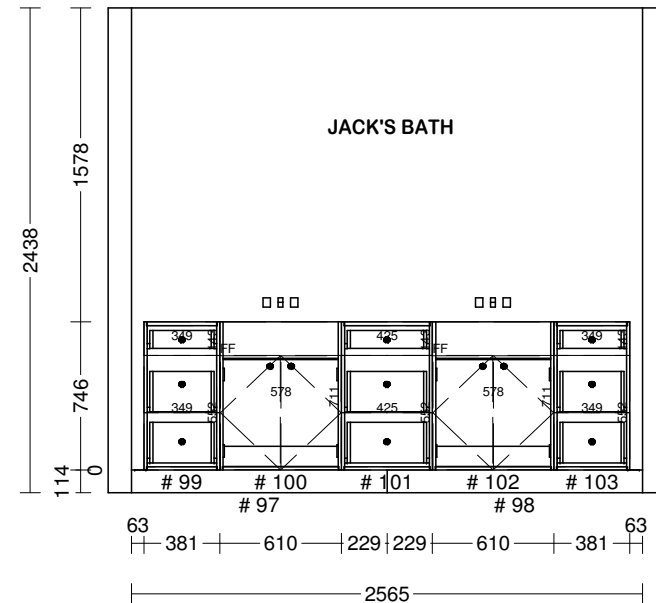
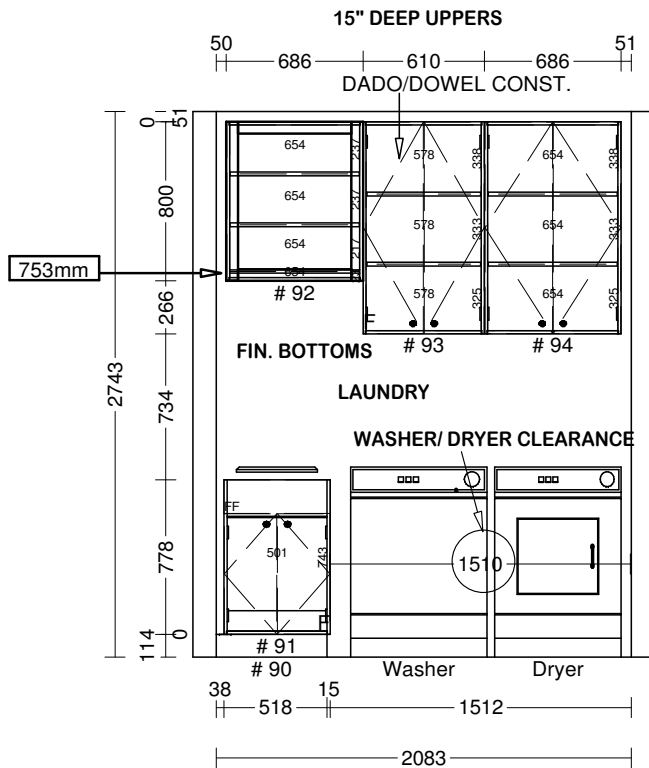
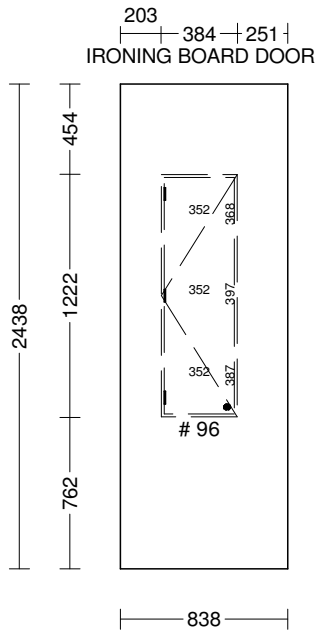
VERIFY WASHER/ DRYER CLEARANCE

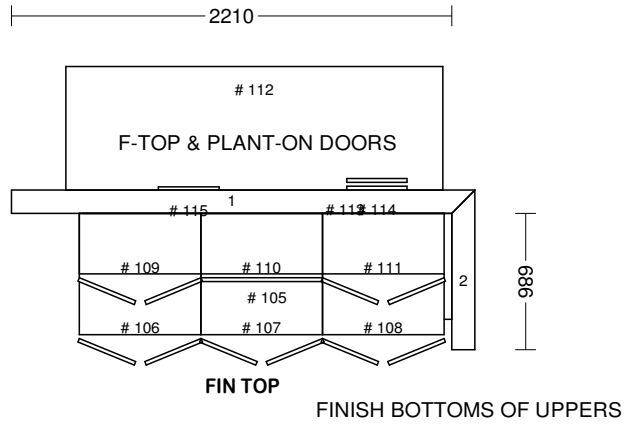


ALL SINK TEMPLATES TO BE ON-SITE FOR CUT-OUT

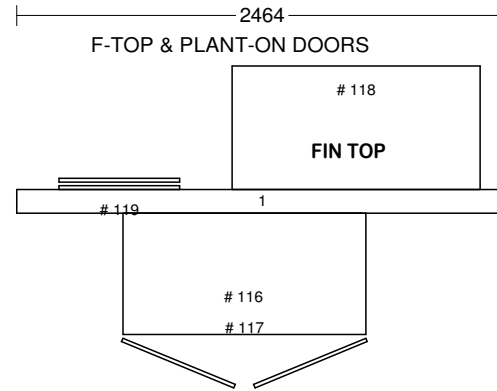
LAUNDRY ROOM
1ST FLOOR
C.H.: 108"
UPPER HT: 48"
BASE HT: 35-1/8"
TOEKICK: 4-1/2"

JACK'S BATH
2ND FLOOR
BASE HT: 33-7/8"
TOEKICK: 4-1/2"

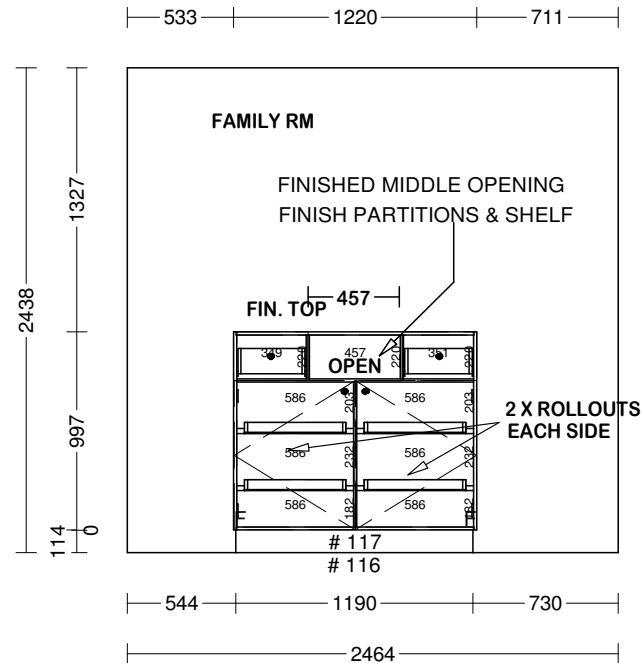
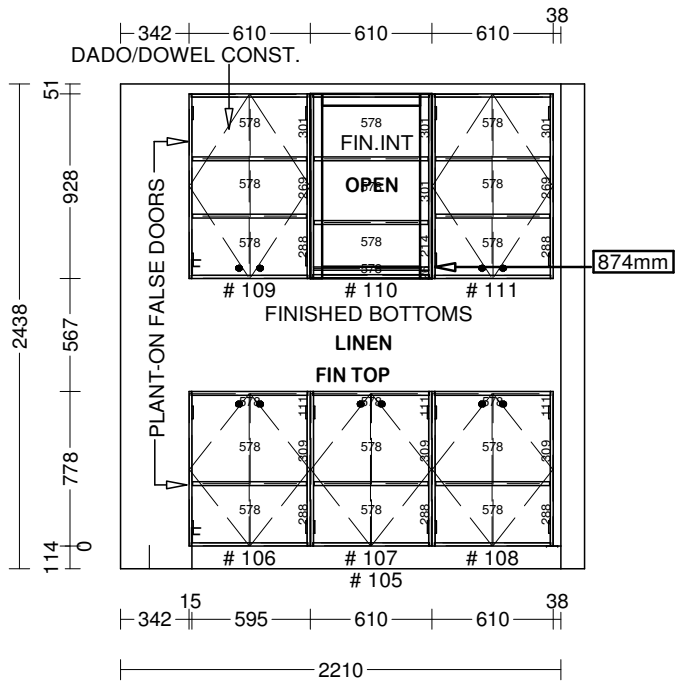




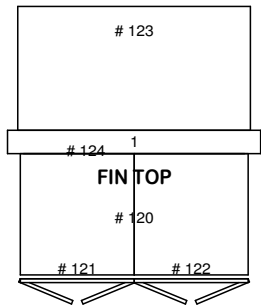
LINEN
2ND FLOOR
BASE HT: 35-1/8"
TOEKICK: 4-1/2"



FAMILY ROOM
MEDIA STORAGE
BASE HT: 43 3/4"
TOEKICK: 4-1/2"
ADD PLANT-ON DOORS @ F/END



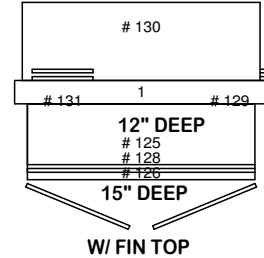
1270
F-TOP & PLANT-ON DOORS



7" RECESS @ FRONT OF TOEKICK

UPSTAIRS GAME ROOM
BASE HT: 46 1/2"
TOEKICK: 4-1/2"
PLANT-ON DOORS @ F-ENDS

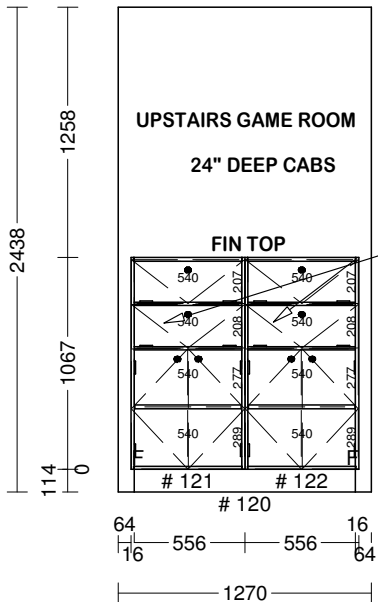
1270
F-TOP & PLANT-ON DOORS



FURNITURE BASE MOLDING
ADD RETURNS @ ENDS
127

BOOKSHELVES @ UPSTAIRS LANDING
BASE HT: 31-3/8"
HUTCH HT: 61"
TOEKICK: FURNITURE BASE MOLDING
ADD PLANT-ON DOORS @ F-ENDS

ADD PLANT-ON DOORS @ F-ENDS



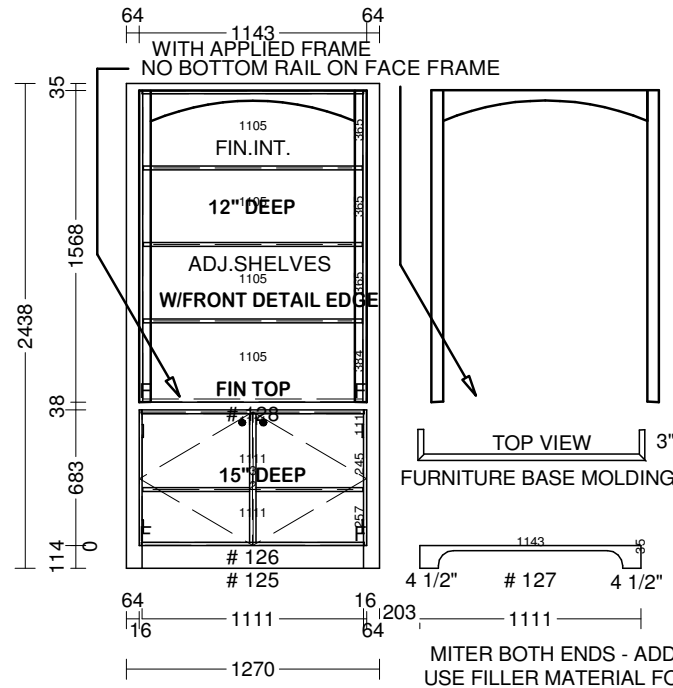
TILT DOWN DRWR FRONTS

231mm

455mm

7" RECESS @ TOEKICK

ADD F-TOP MOLDING TO FACE OF ADJ.SHELVES



TOP VIEW 3"
FURNITURE BASE MOLDING

MITER BOTH ENDS - ADD RETURNS
USE FILLER MATERIAL FOR RETURNS