

Facias to extend full length of assembly

PRELIMINARY DRAWINGS  
Not For Construction

This is an original design and must not be released or copied unless applicable fee has been paid or job order placed.

Job GURU 415592

Olzhas "L.J." Sagat (1-617-515-0771)

Michael Gunderson  
mcgun@verizon.net phone 951-321-9175

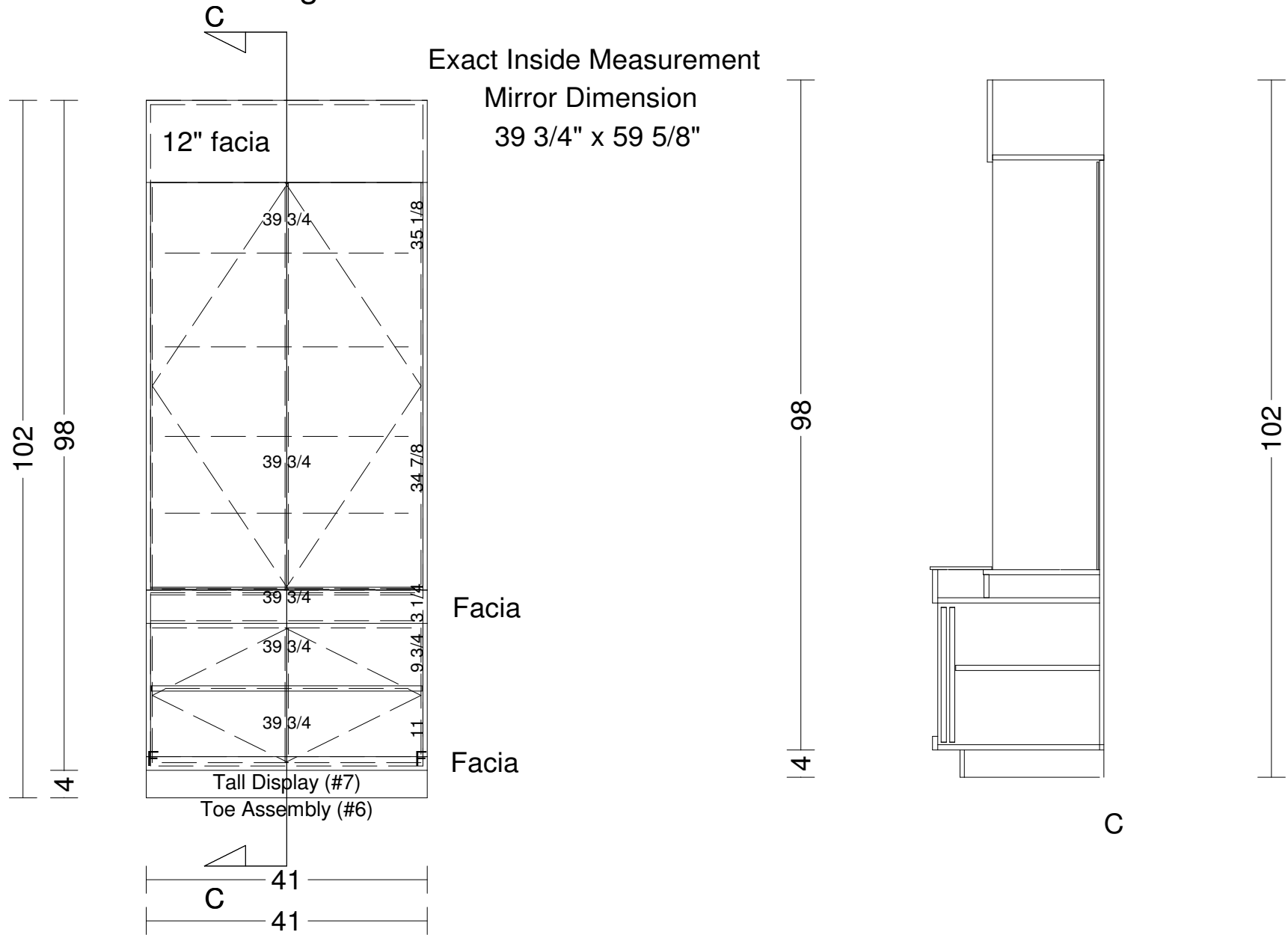
Date: 06/23/08

Designer: Mike Gunderson

Sheet 1 of 6

Approved By:

# Facias to extend full length of sub-assemblies



PRELIMINARY DRAWINGS  
Not For Construction

This is an original design and must not be released or copied unless applicable fee has been paid or job order placed.

Job GURU 415592

Olzhas "L.J." Sagat (1-617-515-0771)

Michael Gunderson  
mcgun@verizon.net phone 951-321-9175

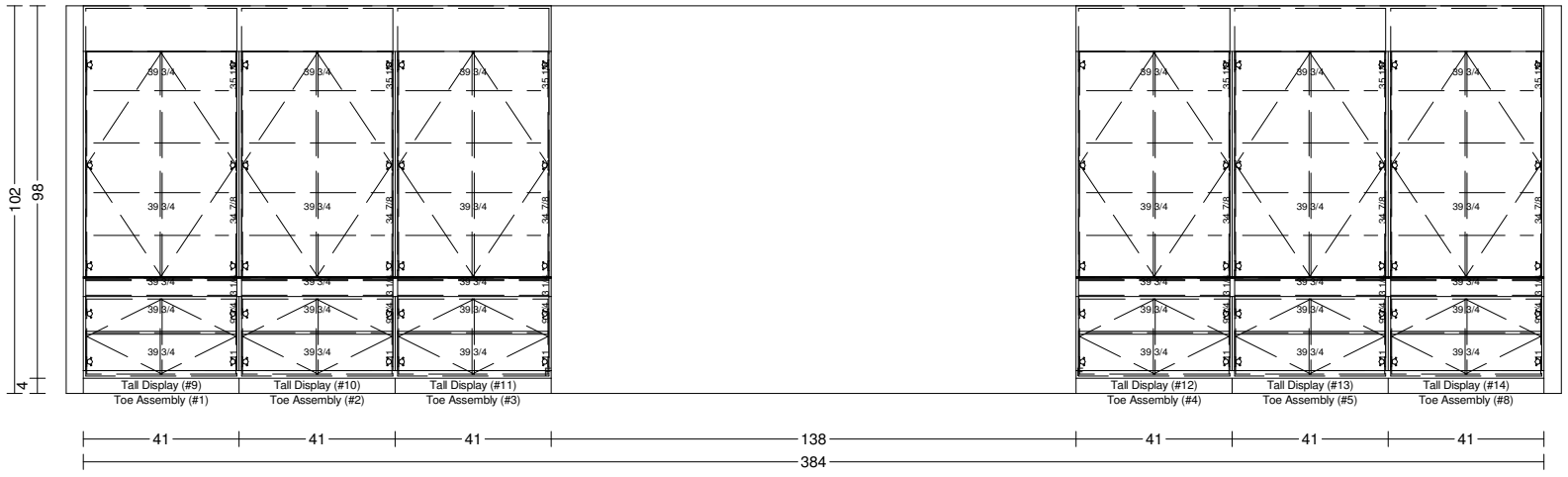
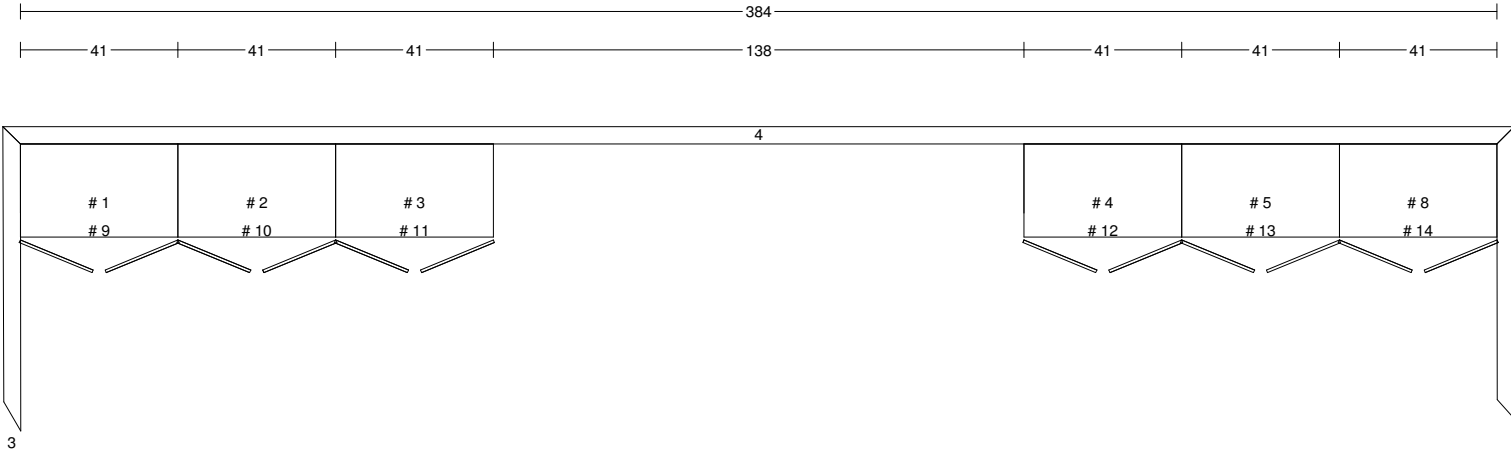
Date: 06/23/08

Designer: Mike Gunderson

Sheet 2 of 6

Approved By:





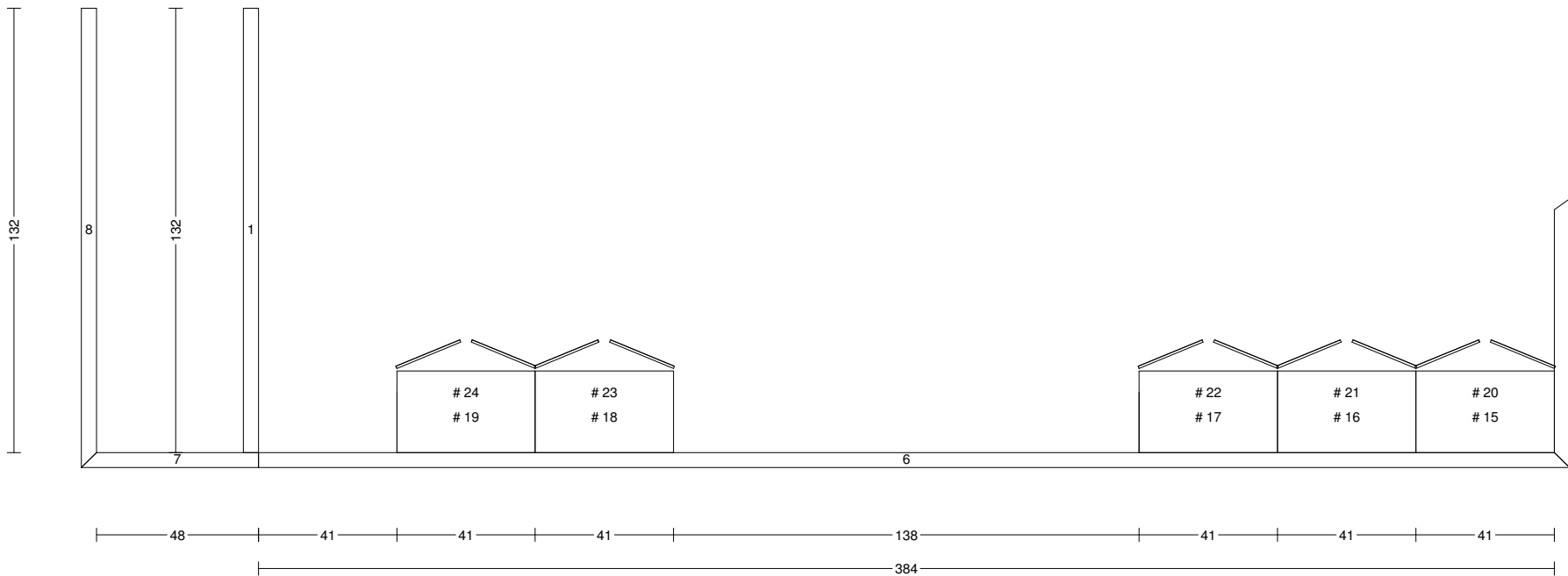
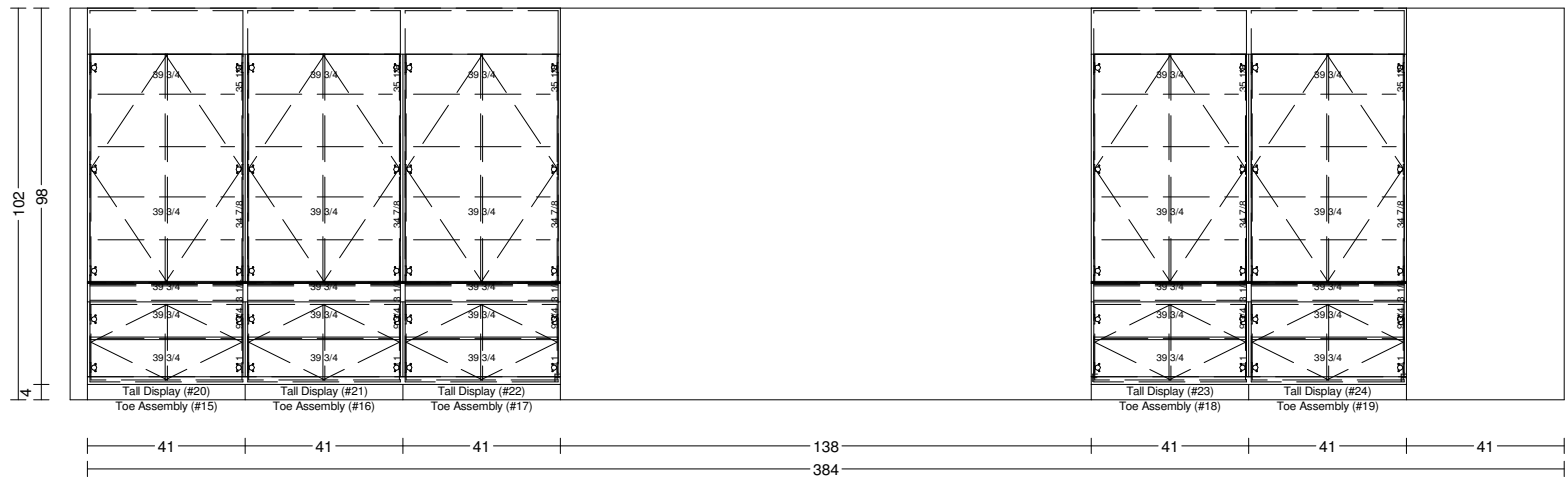
**PRELIMINARY DRAWINGS**  
Not For Construction

Approved By:

This is an original design and must not be released or copied unless applicable fee has been paid or job order placed.

Job GURU 415592  
Olzhas "L.J." Sagat (1-617-515-0771)  
Michael Gunderson  
mcgun@verizon.net phone 951-321-9175

Date: 06/23/08  
Designer: Mike Gunderson  
Sheet 4 of 6



PRELIMINARY DRAWINGS  
Not For Construction

This is an original design and must not be released or copied unless applicable fee has been paid or job order placed.

Job GURU 415592

Olzhas "L.J." Sagat (1-617-515-0771)

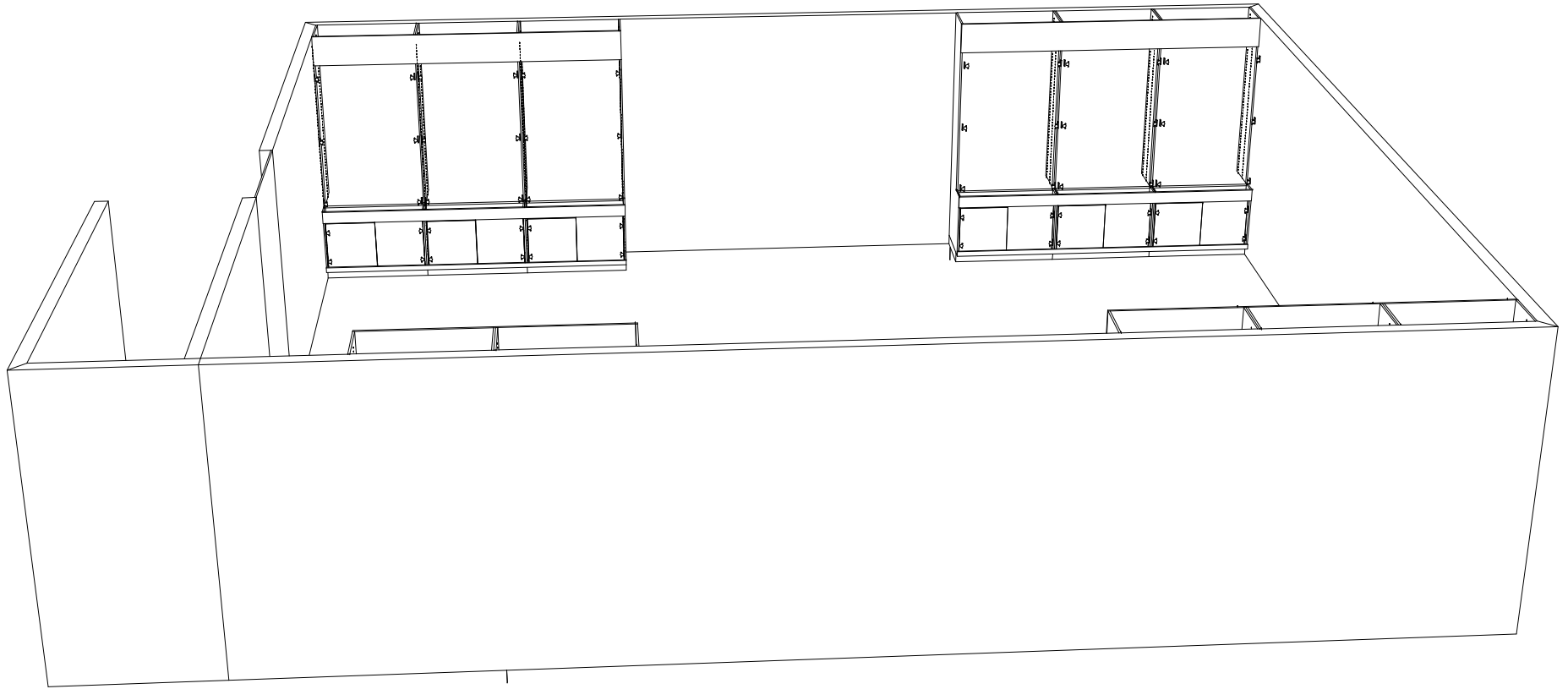
Michael Gunderson  
mcgun@verizon.net phone 951-321-9175

Date: 06/23/08

Designer: Mike Gunderson

Sheet 5 of 6

Approved By:



PRELIMINARY DRAWINGS  
Not For Construction

This is an original design and must  
not be released or copied unless  
applicable fee has been paid or job  
order placed.

Job GURU 415592

Olzhas "L.J." Sagat (1-617-515-0771)

Michael Gunderson  
mcgun@verizon.net phone 951-321-9175

Date: 06/23/08

Designer:  
Mike Gunderson

Sheet 6 of 6

Approved By: