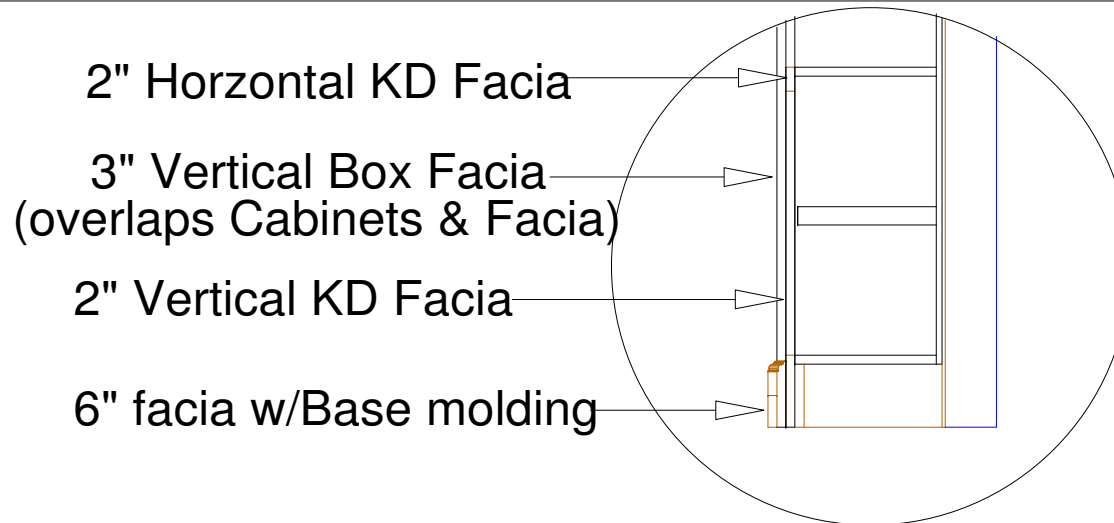
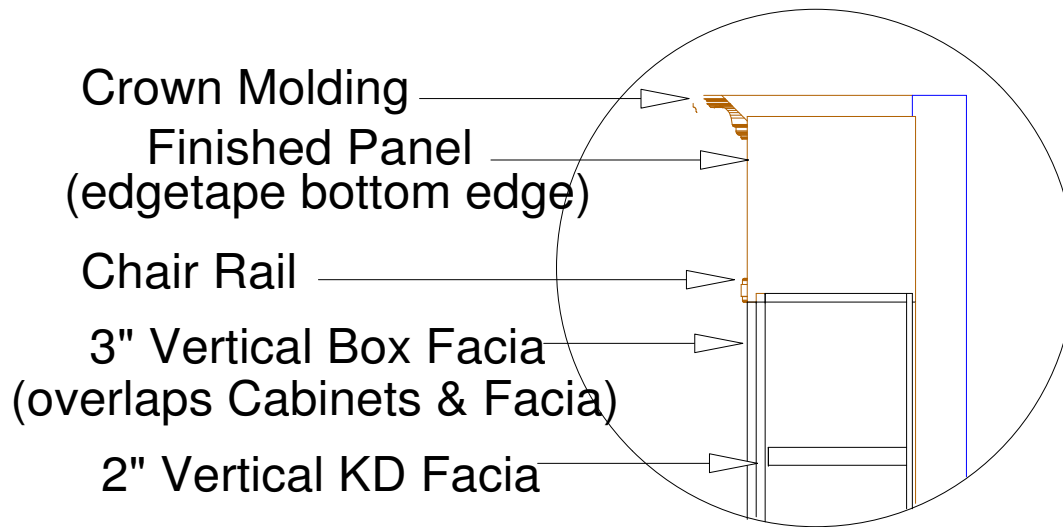
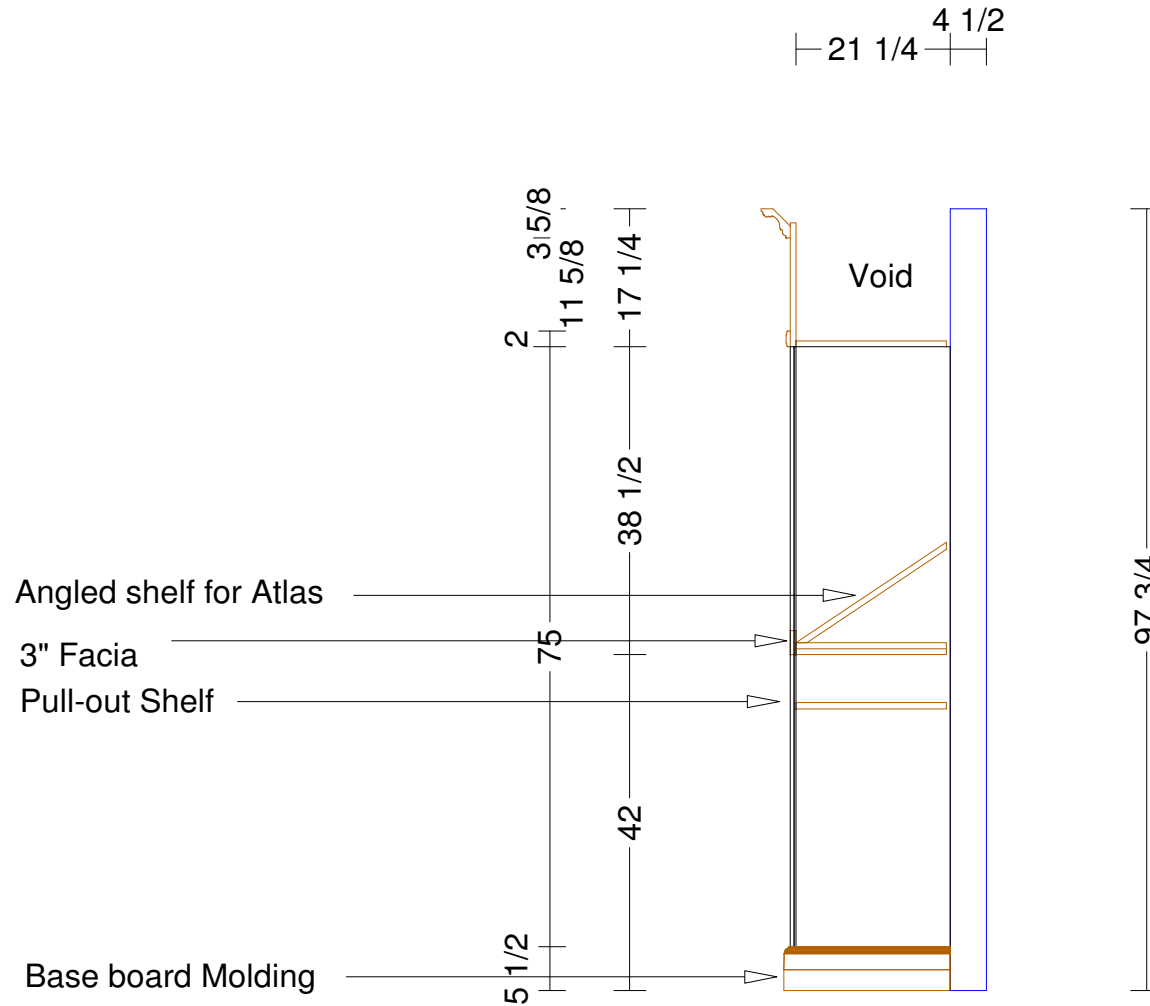


## (A) Upper Cross Section

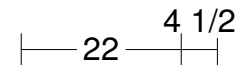


## (B) Base Cross Section

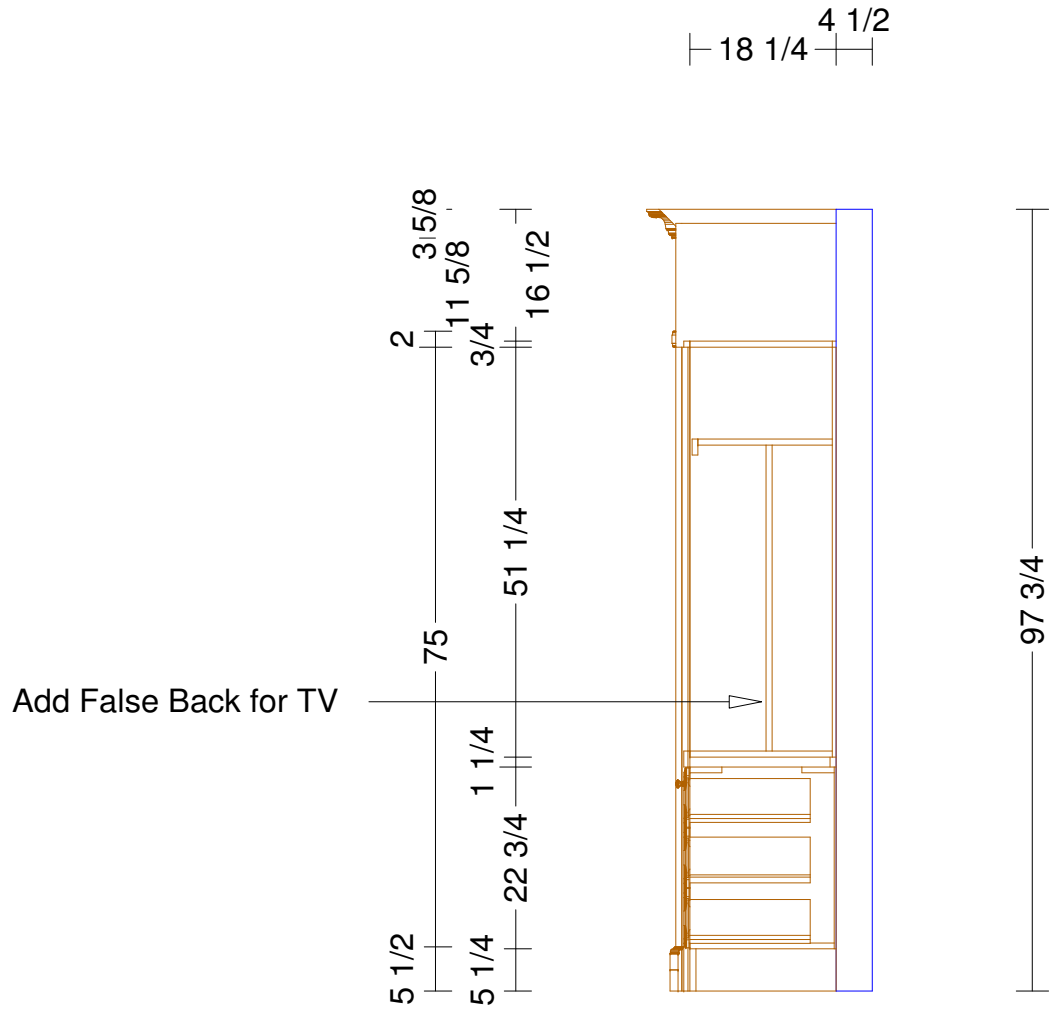
Approved by:	Client: Woodshop Cabinetmakers	Date: 04/01/10
	Description: Maple	P.O. #
	Job : Mary Patton - Study	Sheet 1 of 7
www.KitchenDesignsbyMike.com		phone 951-321-9175
mcgun@verizon.net		



(C) Desk Section

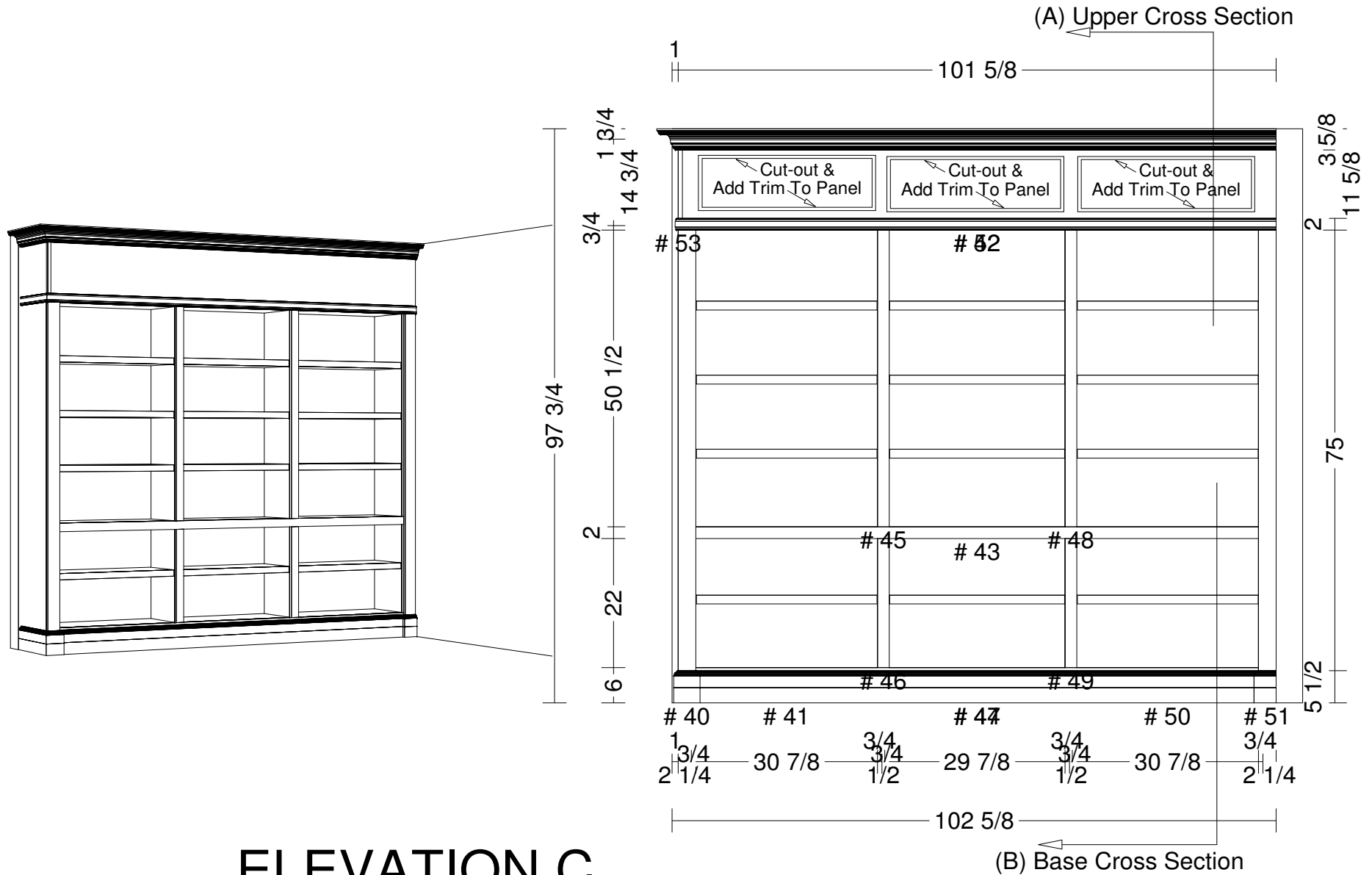


Approved by:	Client: Woodshop Cabinetmakers	Date: 04/01/10
	Description: Maple	P.O. #
	Job : Mary Patton - Study	Sheet 2 of 7
www.KitchenDesignsbyMike.com		phone 951-321-9175
mcgun@verizon.net		



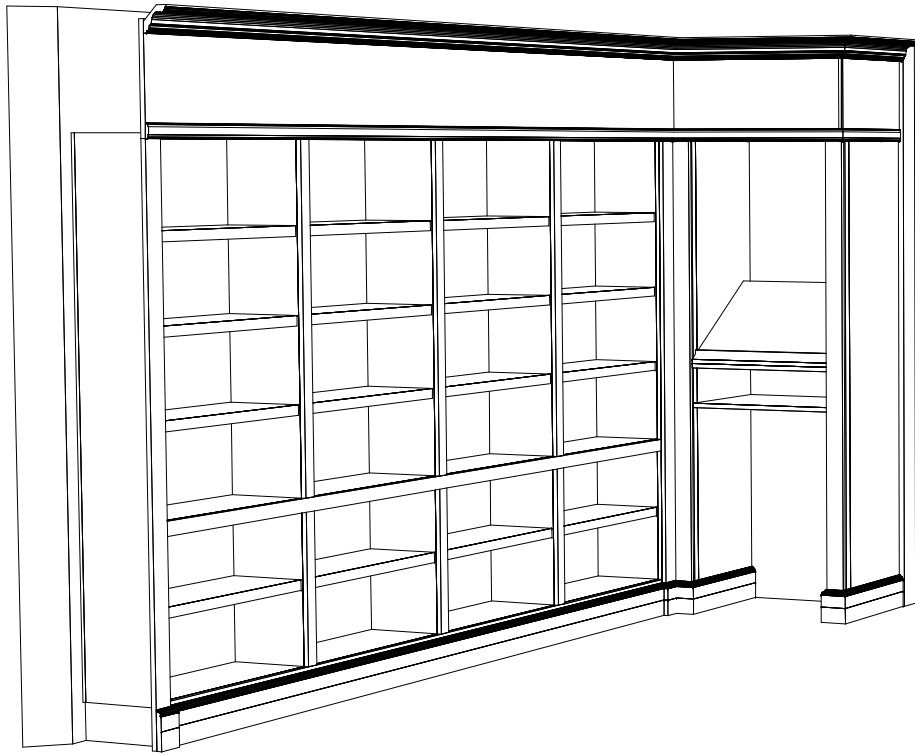
(D) TV Section

Approved by:	Client: Woodshop Cabinetmakers	Date: 04/01/10
	Description: Maple	P.O. #
	Job : Mary Patton - Study	Sheet 3 of 7
www.KitchenDesignsbyMike.com      phone 951-321-9175      mcgun@verizon.net		



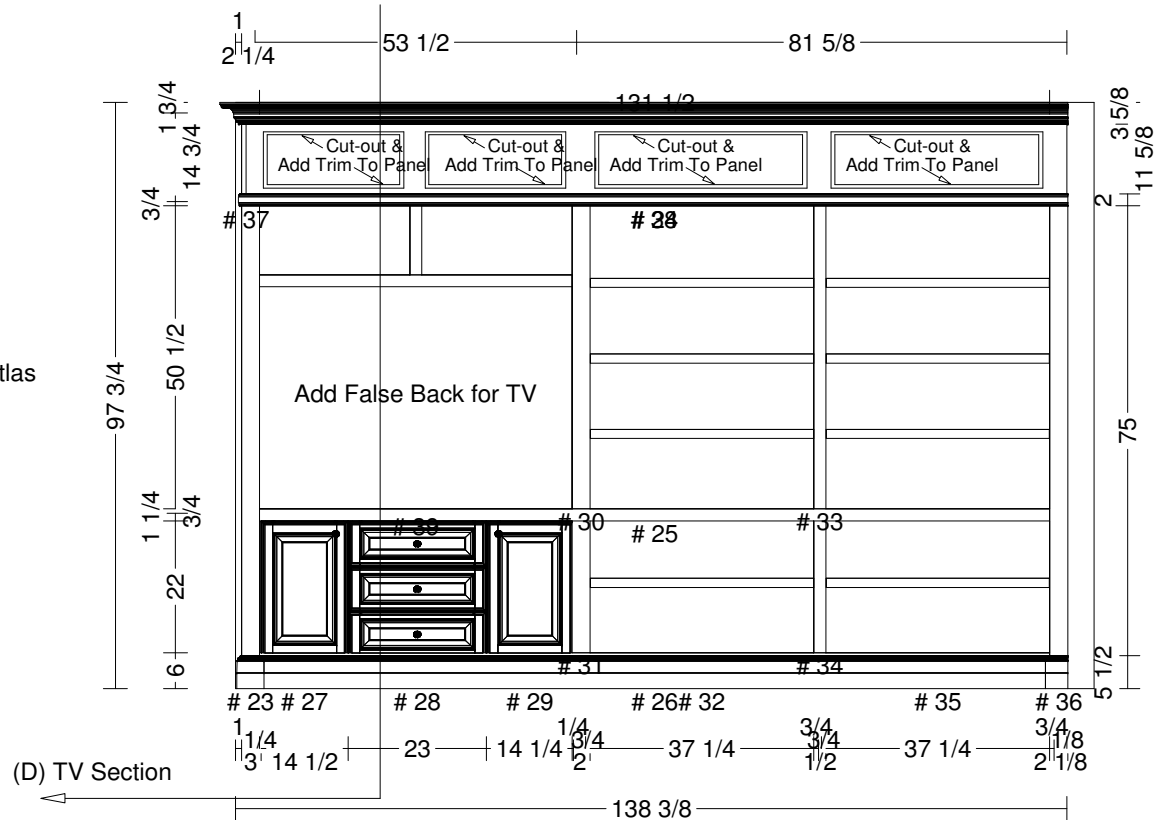
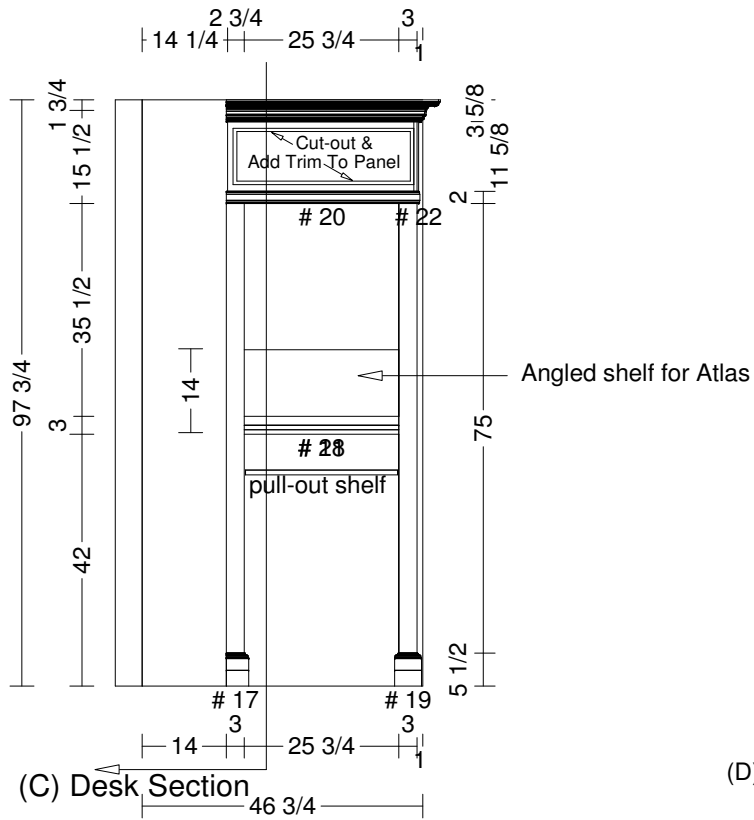
# ELEVATION C

Approved by:	Client: Woodshop Cabinetmakers	Date: 04/01/10
	Description: Maple	P.O. #
	Job : Mary Patton - Study	Sheet 4 of 7
www.KitchenDesignsbyMike.com		
phone 951-321-9175		
mcgun@verizon.net		



## ELEVATION A & B

Approved by:	Client: Woodshop Cabinetmakers	Date: 04/01/10
	Description: Maple	P.O. #
	Job : Mary Patton - Study	Sheet 5 of 7
www.KitchenDesignsbyMike.com		phone 951-321-9175
mcgun@verizon.net		



# ELEVATION B

Approved by:	Client: Woodshop Cabinetmakers	Date: 04/01/10
	Description: Maple	P.O. #
	Job : Mary Patton - Study	Sheet 6 of 7
www.KitchenDesignsbyMike.com		phone 951-321-9175
mcgun@verizon.net		

